

# INSTALLATION MANUAL

10106X

LED  
BUILT IN

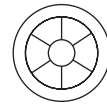


DARK  
LIGHT

90  
CRI

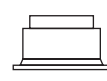
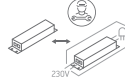
CE EAC UK CA

RoHS  
COMPLIANT

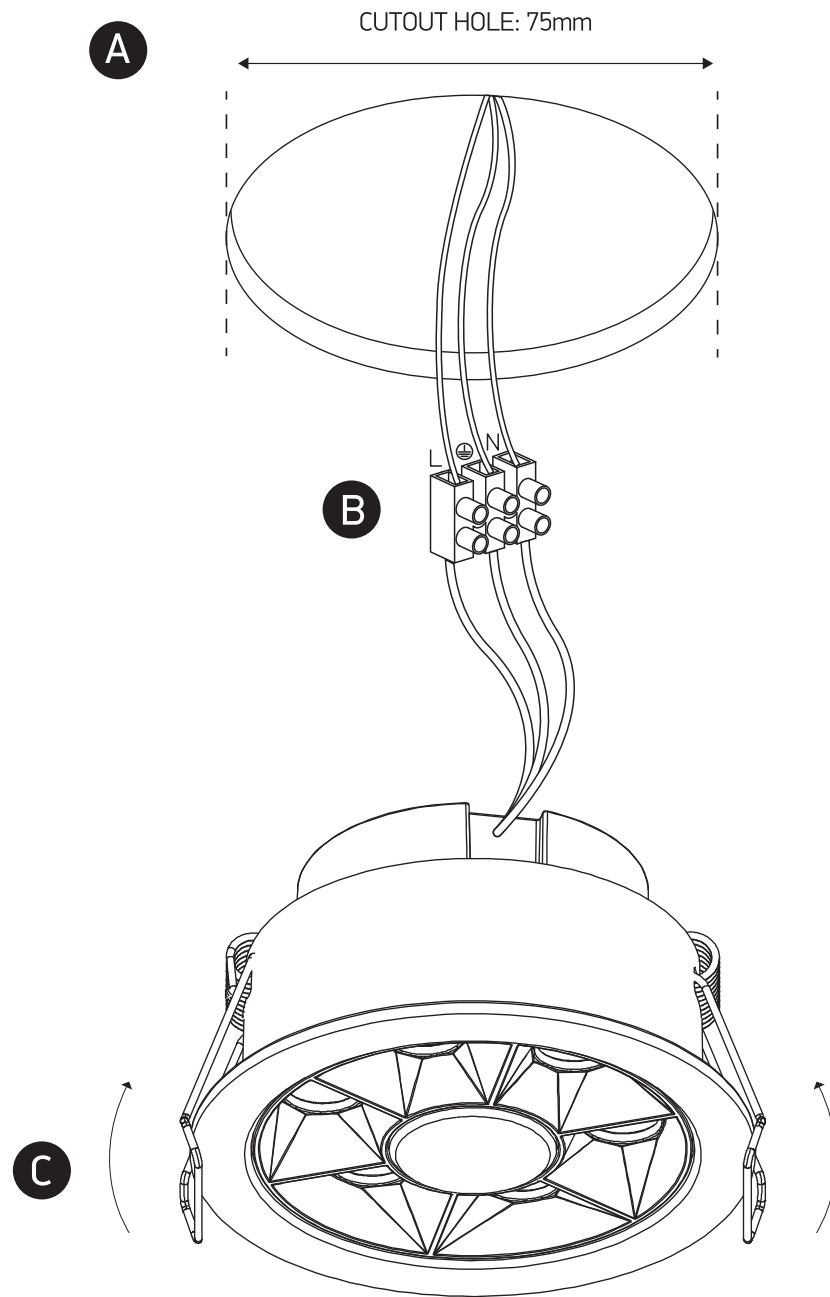


89mm

230V | SMD 3030 | 6W | IP20 | Aluminium  
Complete with 150mA driver.



48mm



## Warnings:

1. Make sure that the product is installed properly before connecting to electricity.
2. Do not cover the fitting.
3. Maintenance and installation should only be carried out by a professional electrician.