

# INSTALLATION MANUAL

10107H

**ecolight**



DARK LIGHT

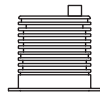
90 CRI



700mA | COB LED | 6.5W | IP65 | Aluminium  
Requires 700mA driver.



70mm



70mm



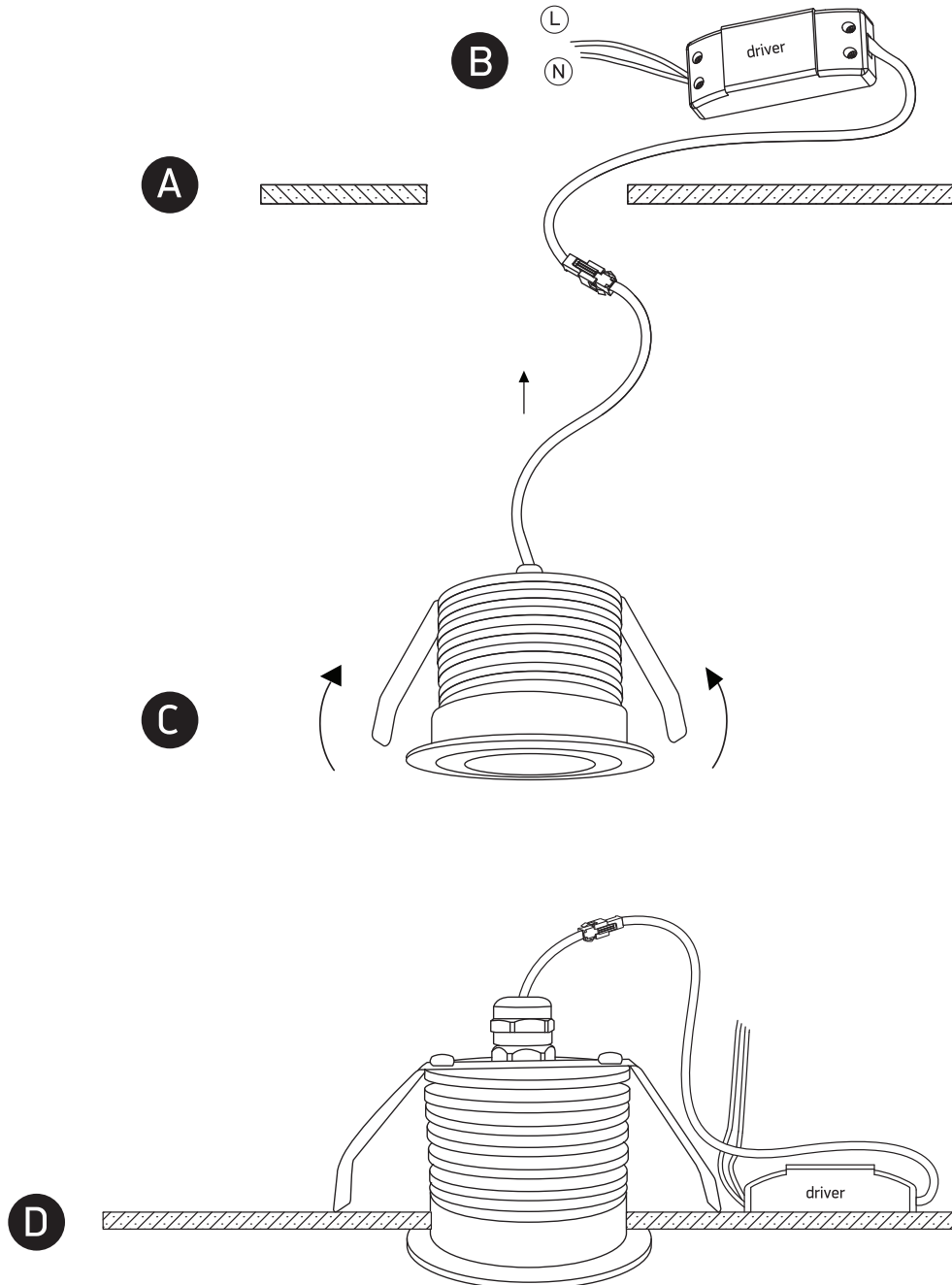
60mm

90mm



40cm

**one**  
LIGHT



## Warnings:

1. Make sure that the product is installed properly before connecting to electricity.
2. Do not cover the fitting.
3. Maintenance and installation should only be carried out by a professional electrician.