

# INSTALLATION MANUAL

10107WP

LED  
BUILT IN



DARK  
LIGHT



CE EAC UK  
CA

RoHS  
COMPLIANT



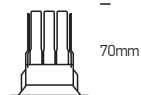
67mm

700mA | COB LED | 6.5W | IP65 | Die cast

Requires 700mA driver.

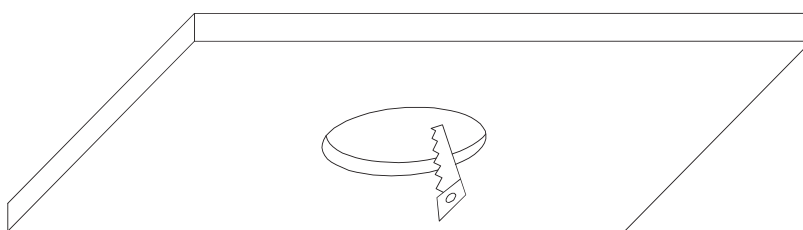


90  
CRI



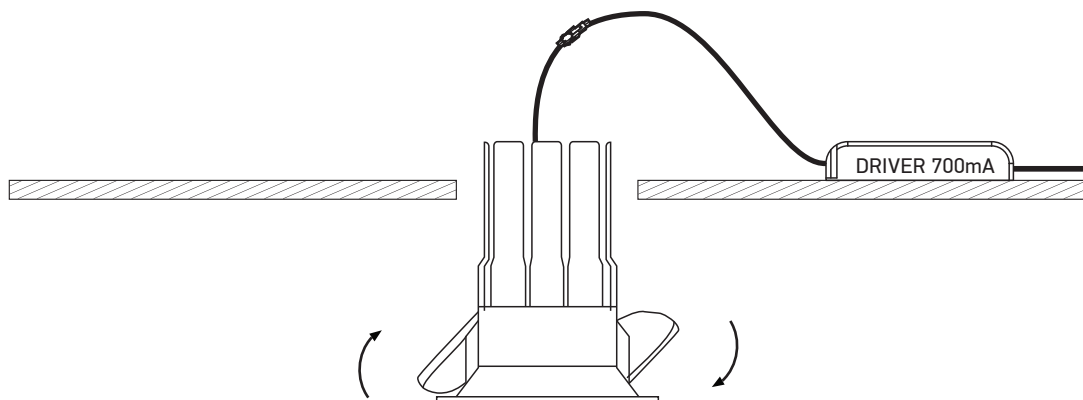
one  
LIGHT

A

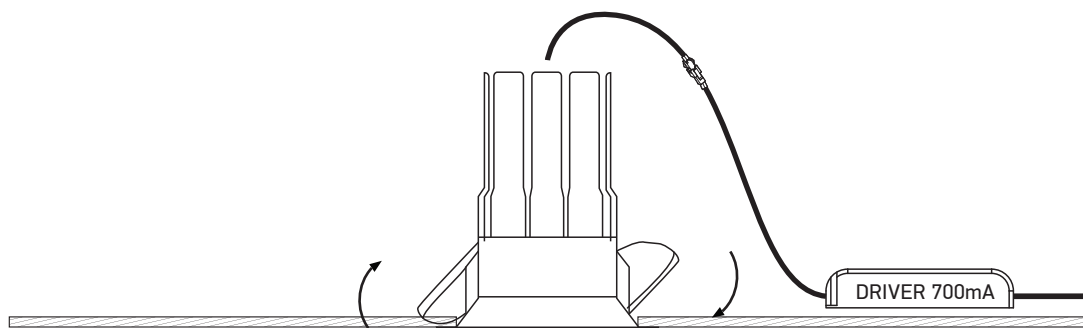


CUTOUT HOLE: 56mm

B



C



## Warnings:

1. Make sure that the product is installed properly before connecting to electricity.
2. Do not cover the fitting.
3. Maintenance and installation should only be carried out by a professional electrician.