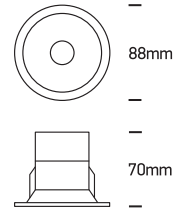


INSTALLATION MANUAL

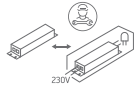
10108D

LED BUILT IN    DARK LIGHT

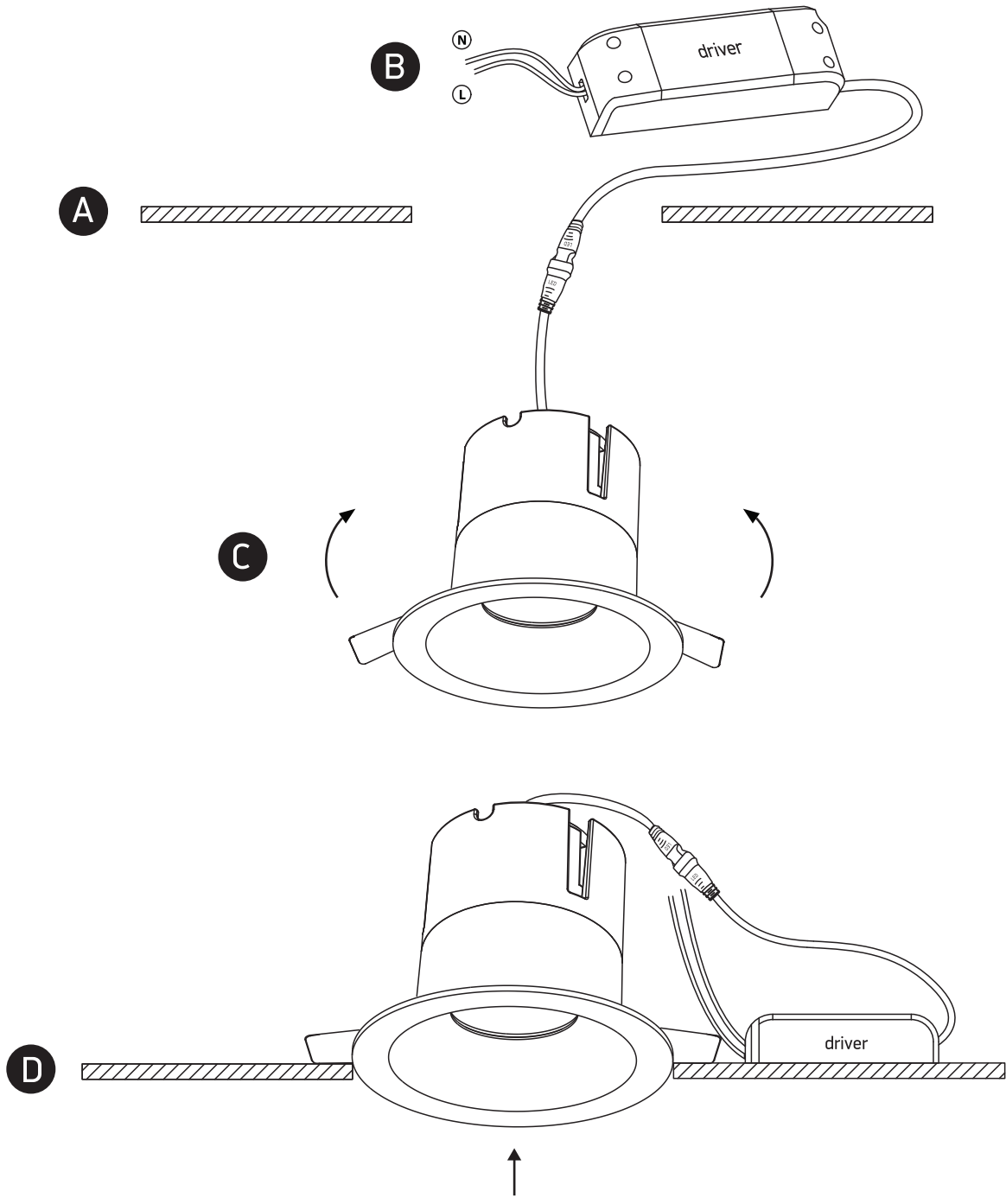
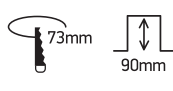
CE EAC UK CA   



230V | COB | 8W | IP20 | Die cast
Complete with 300mA driver.



90 CRI



Warnings:

1. Make sure that the product is installed properly before connecting to electricity.
2. Do not cover the fitting.
3. Maintenance and installation should only be carried out by a professional electrician.