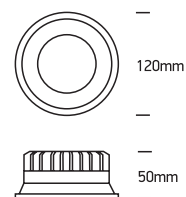


# INSTALLATION MANUAL

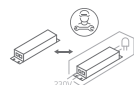
10109D

LED BUILT IN   DARK LIGHT

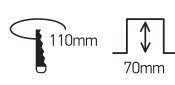
CE ENEC UK CA RoHS COMPLIANT   NOT DAMMABLE



230V | SMD 2835 | 9W | IP20 | Die cast  
Complete with 300mA driver.

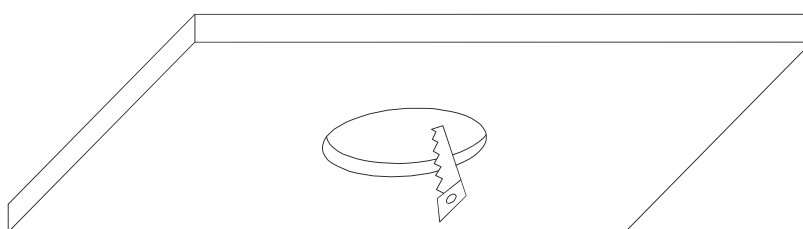


90 CRI



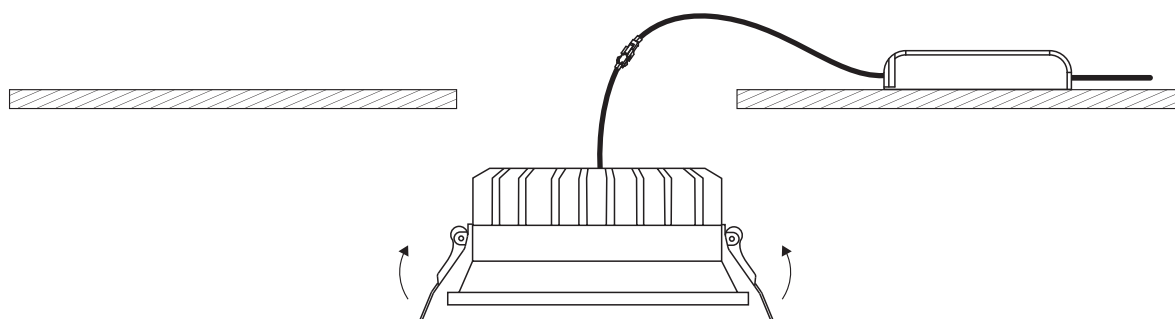
one  
LIGHT

A

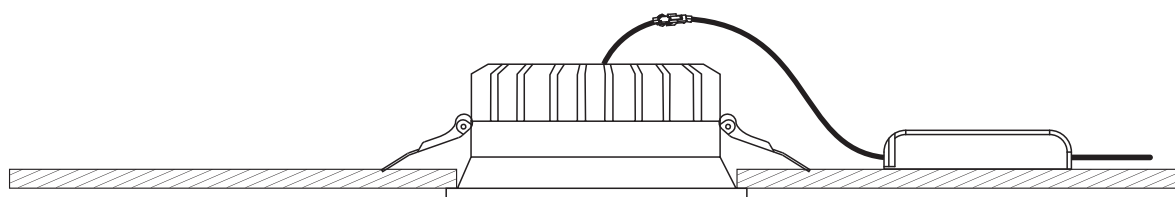


CUTOUT HOLE: 110mm

B



C



## Warnings:

1. Make sure that the product is installed properly before connecting to electricity.
2. Do not cover the fitting.
3. Maintenance and installation should only be carried out by a professional electrician.