

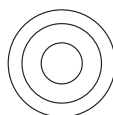
INSTALLATION MANUAL

10110TD

ecodownlight



DARK LIGHT



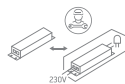
115mm



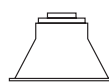
95mm

230V | SMD 2835 | 10W | IP54 | Aluminium

Complete with 250mA driver.



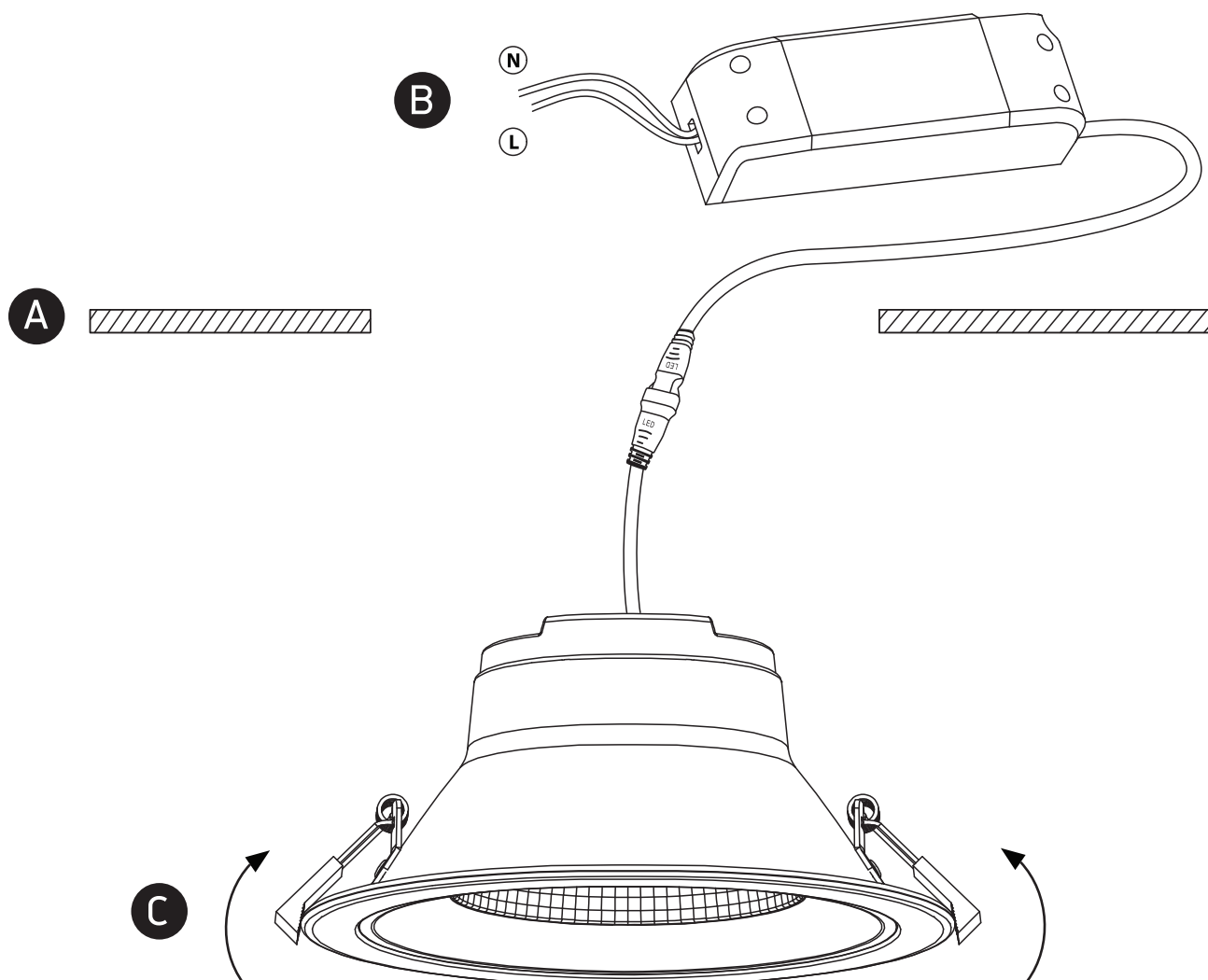
80 CRI



67mm



110mm



Warnings:

1. Make sure that the product is installed properly before connecting to electricity.
2. Do not cover the fitting.
3. Maintenance and installation should only be carried out by a professional electrician.