

# INSTALLATION MANUAL

10112K

**ecolight**



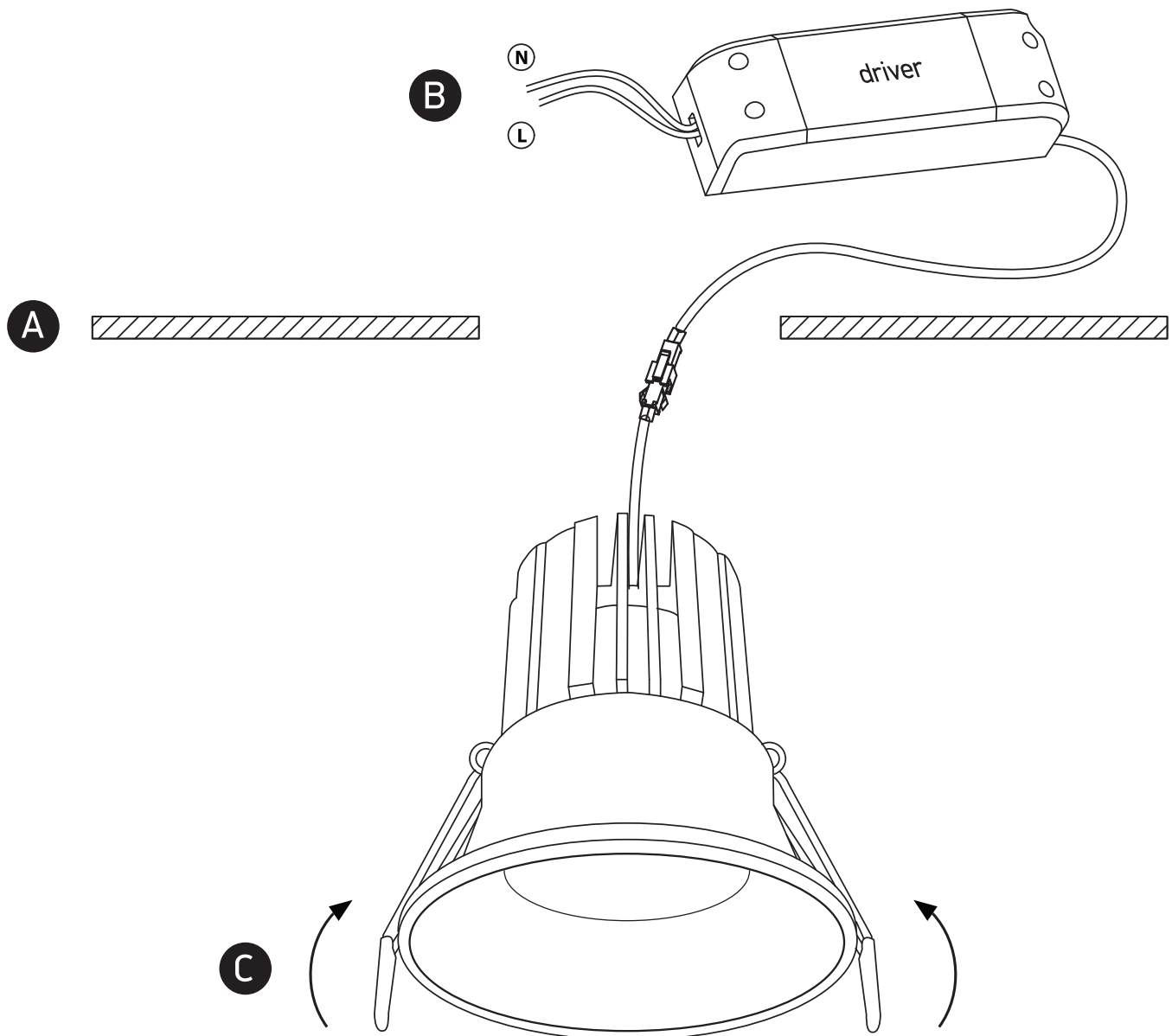
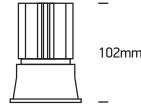
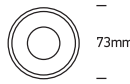
DARK LIGHT



90 CRI



700mA | COB LED | 12W | IP20 | Die cast  
Requires 700mA driver.



## Warnings:

1. Make sure that the product is installed properly before connecting to electricity.
2. Do not cover the fitting.
3. Maintenance and installation should only be carried out by a professional electrician.