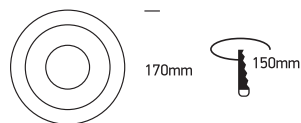


INSTALLATION MANUAL

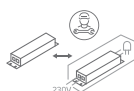
10118TD

ecodownlight

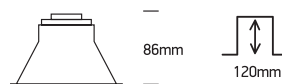


230V | SMD 2835 | 18W | IP54 | Aluminium

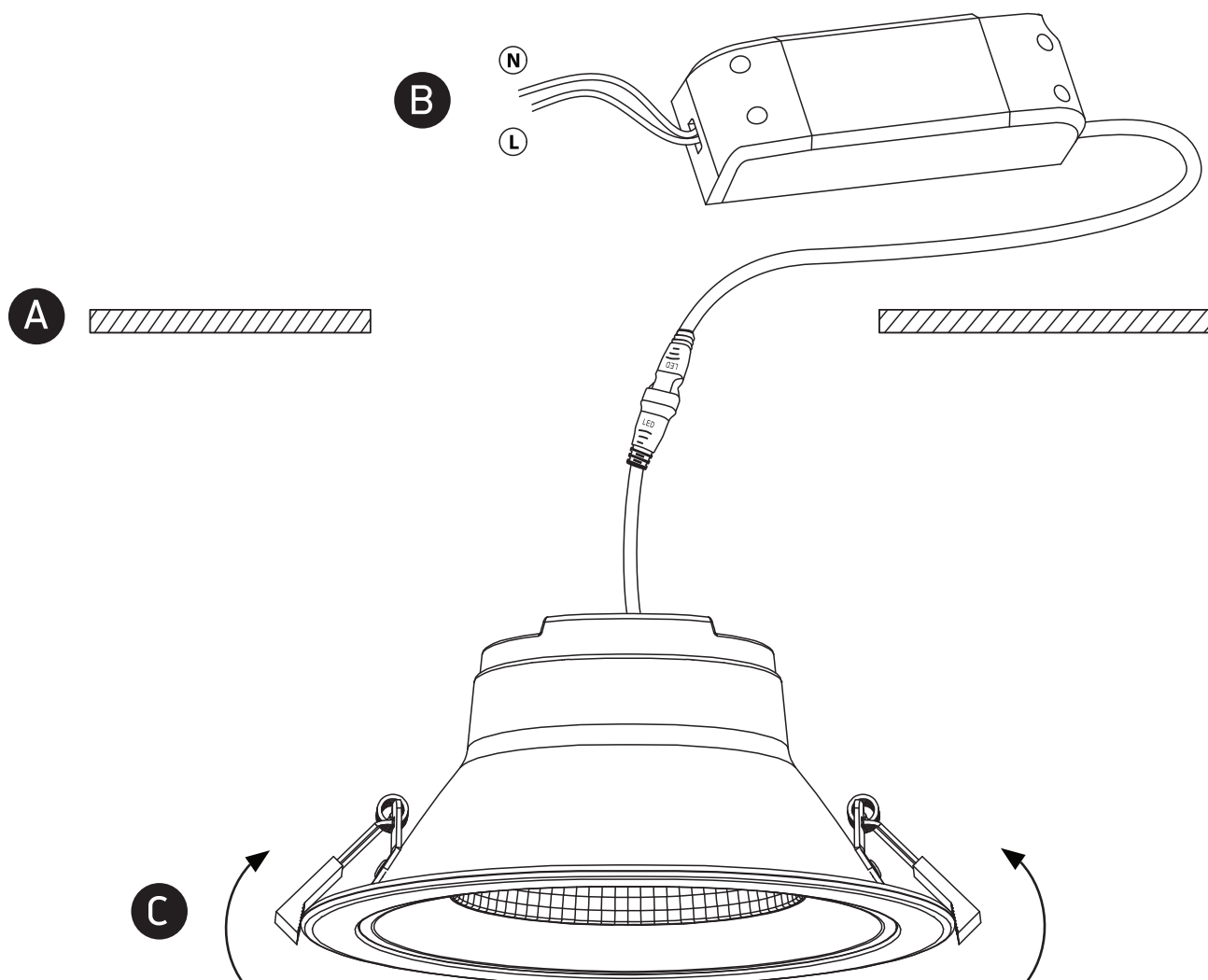
Complete with 450mA driver.



80
CRI



one
LIGHT



Warnings:

1. Make sure that the product is installed properly before connecting to electricity.
2. Do not cover the fitting.
3. Maintenance and installation should only be carried out by a professional electrician.