

INSTALLATION MANUAL

10122D

LED
BUILT IN



DARK
LIGHT

CE EAC UK
CA

RoHS
COMPLIANT

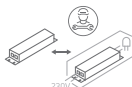


NOT
DIMMABLE

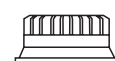


175mm

230V | SMD 2835 | 22W | IP20 | Die cast
Complete with 500mA driver.



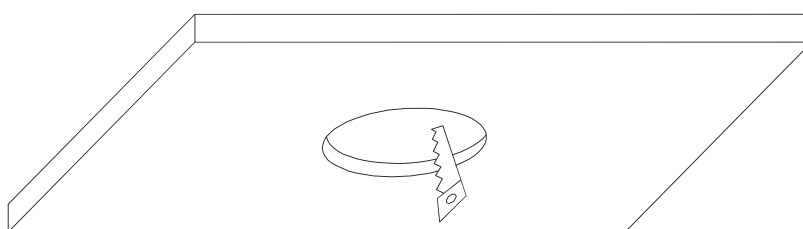
90
CRI



55mm

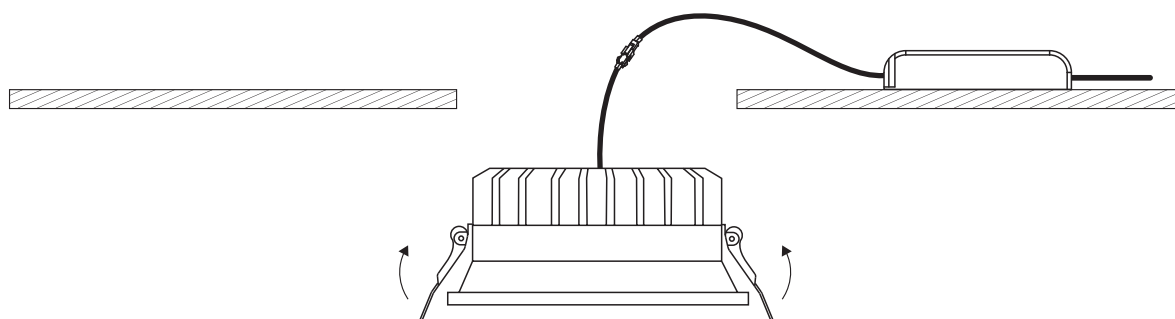
one
LIGHT

A

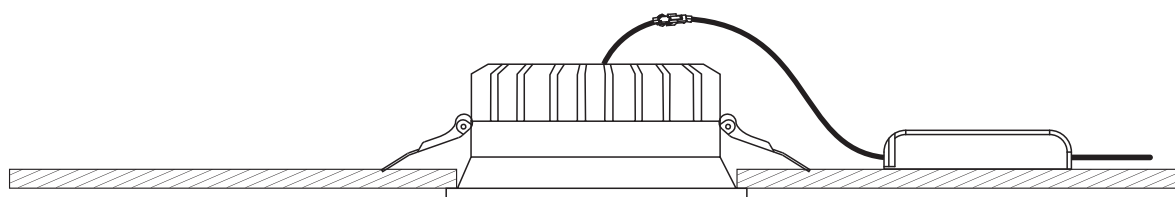


CUTOUT HOLE: 165mm

B



C



Warnings:

1. Make sure that the product is installed properly before connecting to electricity.
2. Do not cover the fitting.
3. Maintenance and installation should only be carried out by a professional electrician.