

INSTALLATION MANUAL

10130CF

LED
BUILT IN



CE ENEC UK CA

RoHS
COMPLIANT



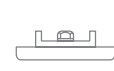
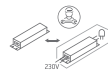
NOT
DRAMABLE



215mm

230V | SMD 4014 | 30W | IP65 | Die cast + PC
Complete with 700mA driver.

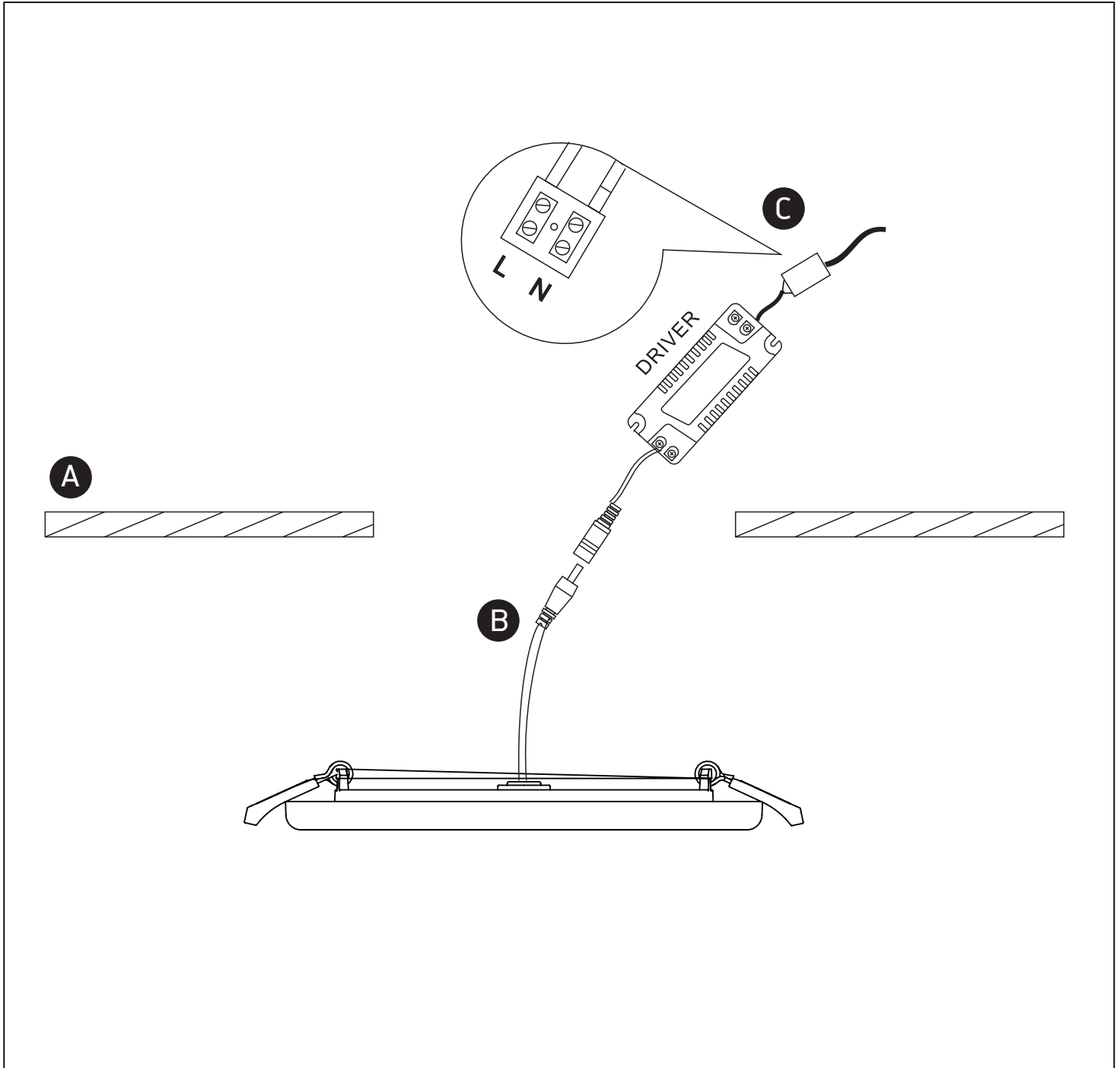
80
CRI



22mm

one
LIGHT

RECESSED INSTALLATION



Warnings:

1. Make sure that the product is installed properly before connecting to electricity.
2. Do not cover the fitting.
3. Maintenance and installation should only be carried out by a professional electrician.