

# INSTALLATION MANUAL

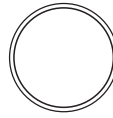
10148P

**ecopanel**



230V | 48W | IP20 | Die cast

Complete with dimmable LED driver



600mm

15cm



80mm

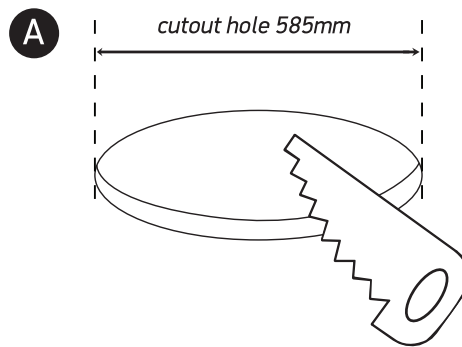


585mm

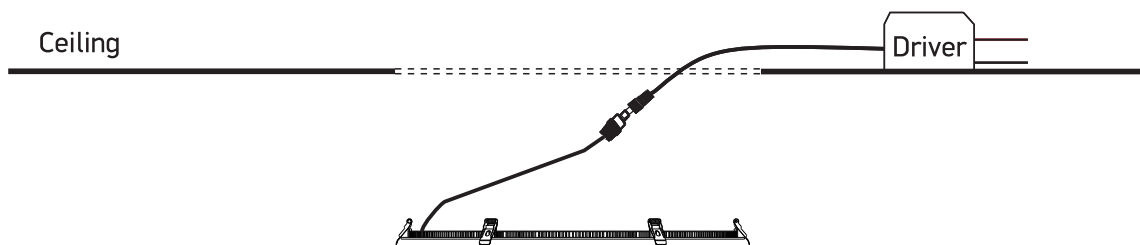


18mm

**one**  
LIGHT



**B** Connect the driver with the plug provided.



**C** Install fitting using springs supplied.



## Warnings:

1. Make sure that the product is installed properly before connecting to electricity.
2. Do not cover the fitting.
3. Maintenance and installation should only be carried out by a professional electrician.