

# INSTALLATION MANUAL

11104K

ecolight



DARK LIGHT

ADJUSTABLE



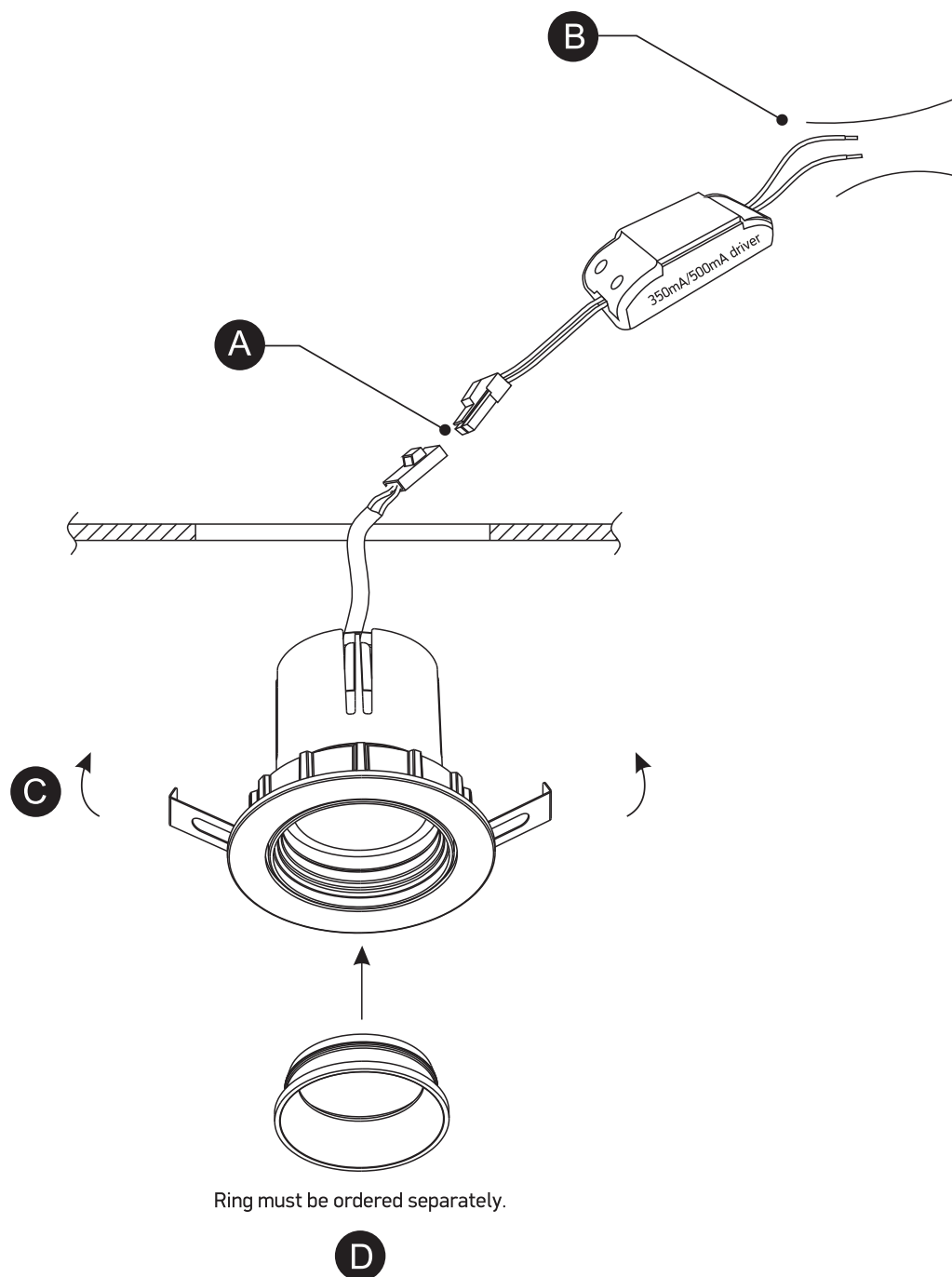
68mm

350mA/500mA | 3W/5W | IP20 | Aluminium | Adjustable  
Requires 350mA/500mA driver / Ring must be ordered separately.

80 CRI



62mm



## Warnings:

1. Make sure that the product is installed properly before connecting to electricity.
2. Do not cover the fitting.
3. Maintenance and installation should only be carried out by a professional electrician.