

INSTALLATION MANUAL

11112TA

ecolight



104mm

100mm

700mA | COB LED | 12W | IP20 | Die cast | Adjustable

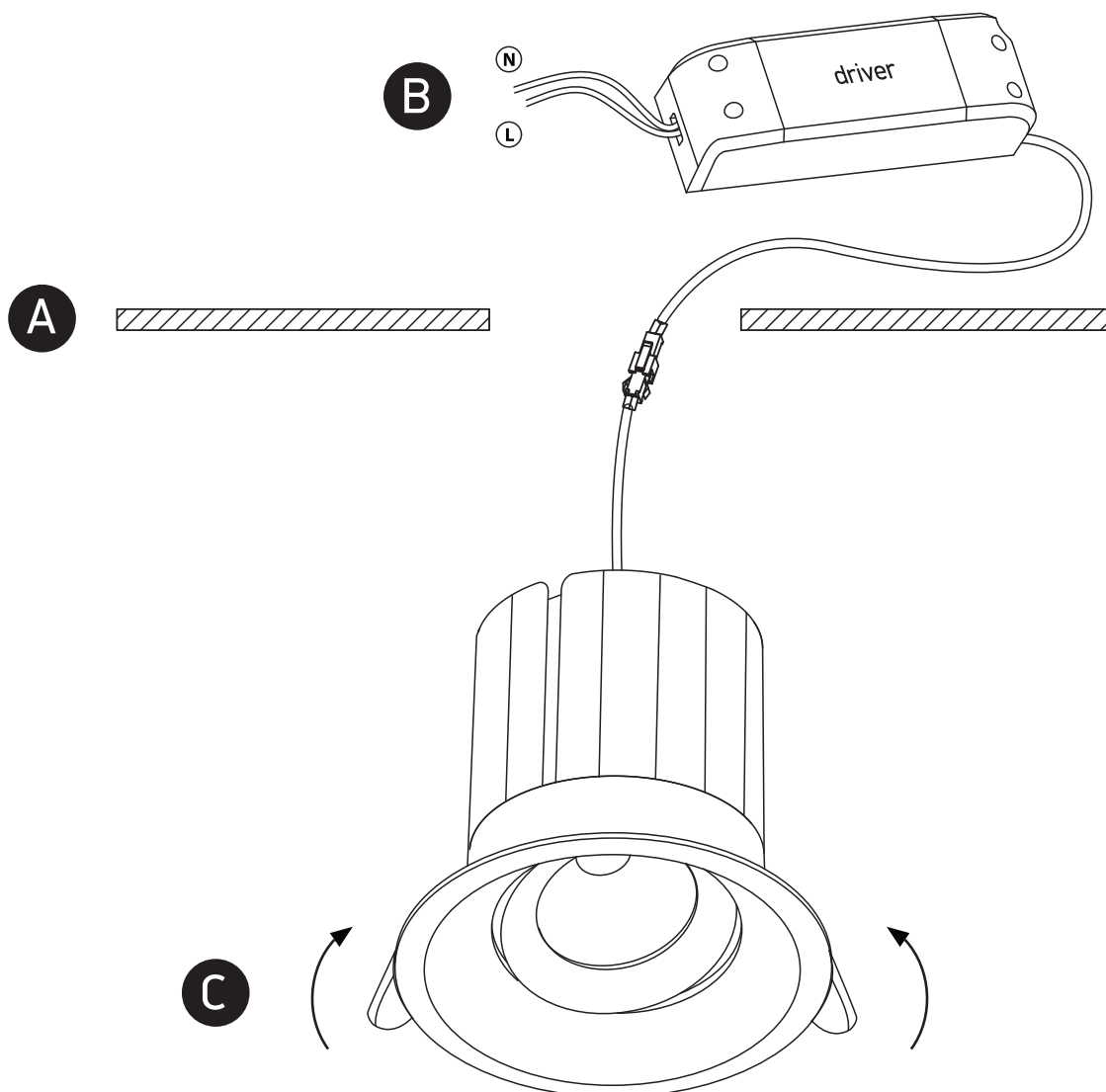
Requires 700mA driver.



90 CRI



one
LIGHT



Warnings:

1. Make sure that the product is installed properly before connecting to electricity.
2. Do not cover the fitting.
3. Maintenance and installation should only be carried out by a professional electrician.