

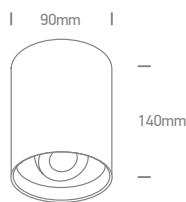
INSTALLATION MANUAL

12110D

LED
BUILT IN



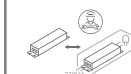
90
CRI



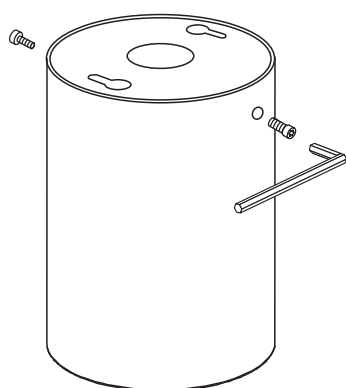
one
LIGHT

230V | 10W | IP20 | Die cast | Adjustable

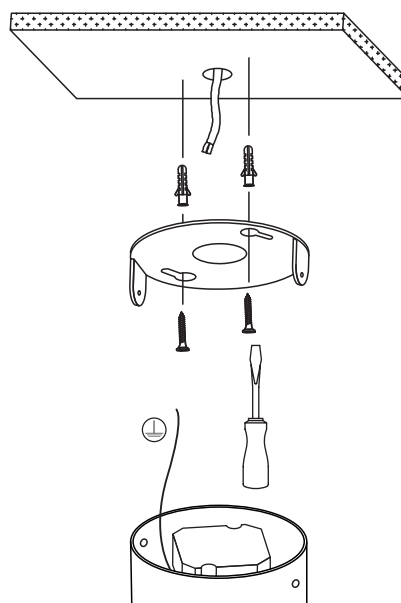
Complete with 500mA driver



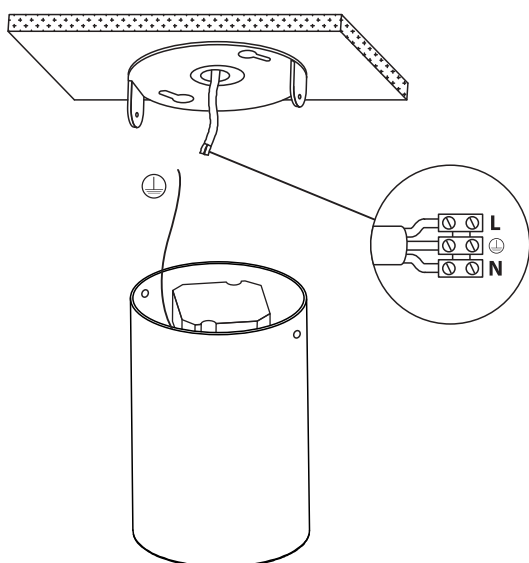
A



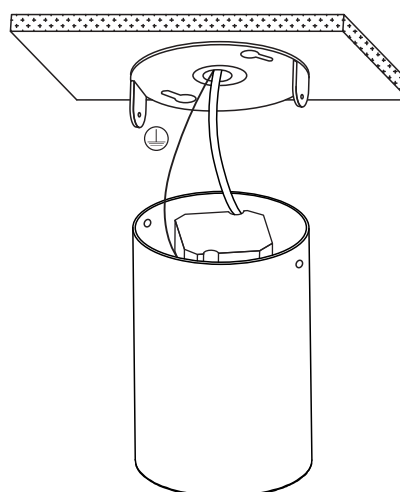
B



C



D



Warnings:

1. Make sure that the product is installed properly before connecting to electricity.
2. Do not cover the fitting.
3. Maintenance and installation should only be carried out by a professional electrician.