

# INSTALLATION MANUAL

12110HA, 12115HA

ecolight



DARK  
LIGHT

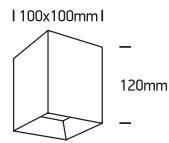
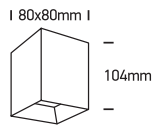
80  
CRI



Complete with driver.

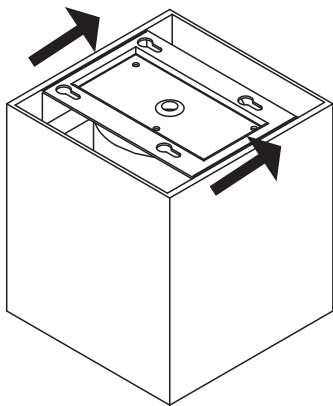
12110HA: 230V | COB LED | 10W | IP20 | Aluminium

12115HA: 230V | COB LED | 15W | IP20 | Aluminium

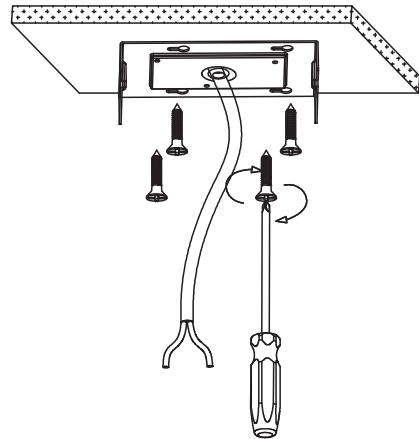


one  
LIGHT

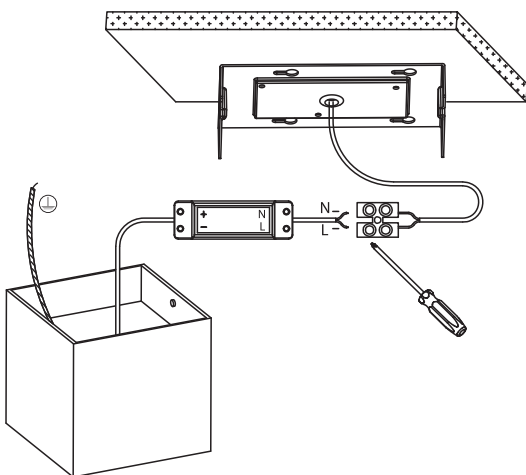
A



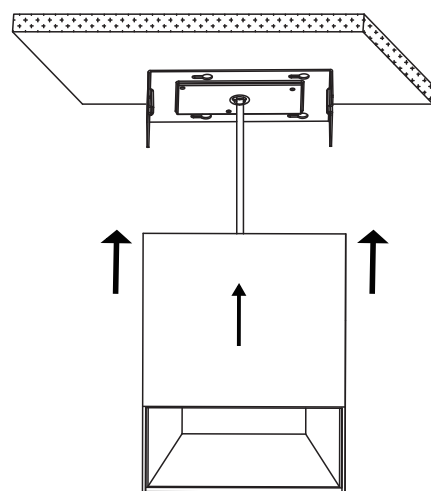
B



C



D



## Warnings:

1. Make sure that the product is installed properly before connecting to electricity.
2. Do not cover the fitting.
3. Maintenance and installation should only be carried out by a professional electrician.