

# INSTALLATION MANUAL

## 12112A

LED  
BUILT IN



DARK  
LIGHT

CE EAC UK  
CA

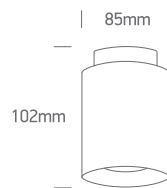
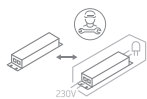
RoHS  
COMPLIANT



NOT  
DIMMABLE

230V | COB LED | 10W+2W | IP20 | Aluminium  
Complete with 300mA driver.

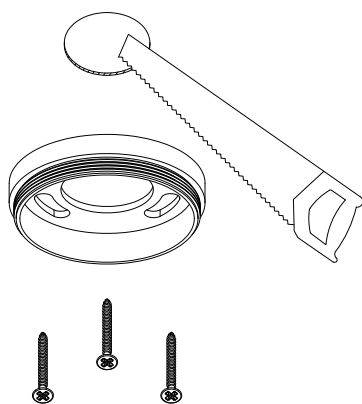
90  
CRI



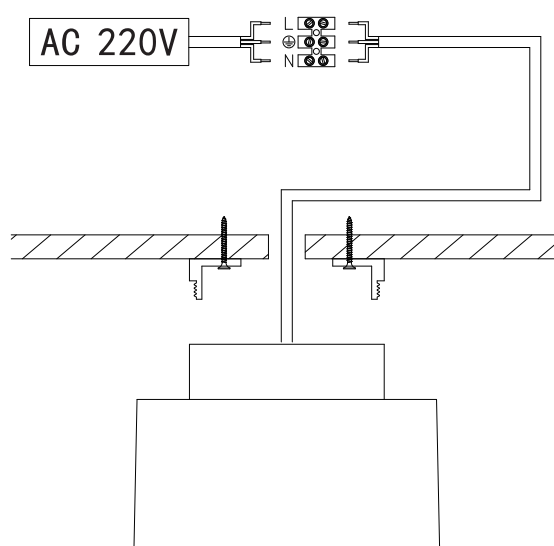
one  
LIGHT

A

CUT OUT:  $\phi 25\text{mm}$

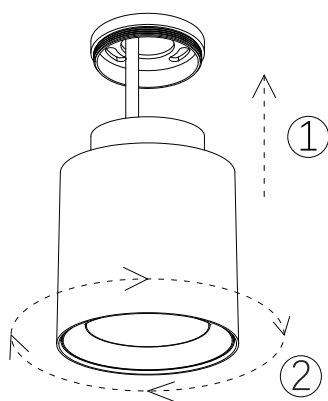


B

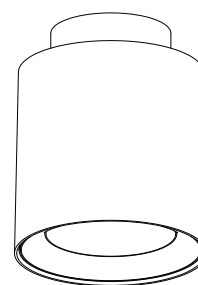


C

LOCK



D



### Warnings:

1. Make sure that the product is installed properly before connecting to electricity.
2. Do not cover the fitting.
3. Maintenance and installation should only be carried out by a professional electrician.