

# INSTALLATION MANUAL

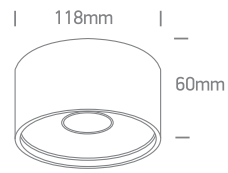
12112F/./V

LED  
BUILT IN



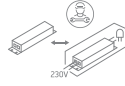
CE ENEC UK CA

RoHS  
COMPLIANT

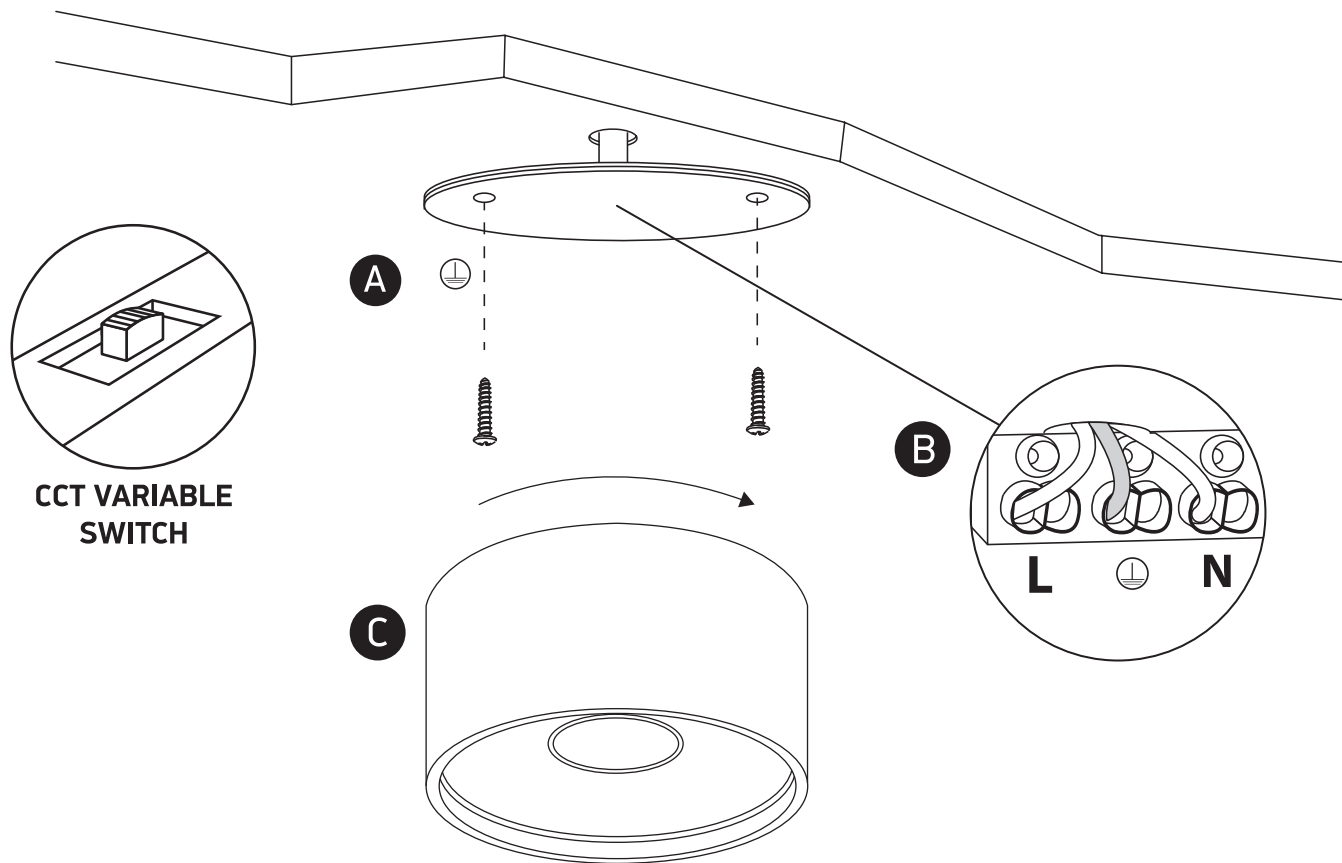


230V | COB | CCT V | 12W | IP20 | Aluminium  
Complete with 300mA driver.

90  
CRI



one  
LIGHT



CCT VARIABLE  
SWITCH

## Warnings:

1. Make sure that the product is installed properly before connecting to electricity.
2. Do not cover the fitting.
3. Maintenance and installation should only be carried out by a professional electrician.