

INSTALLATION MANUAL

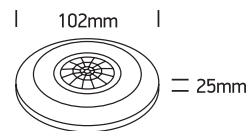
22004 IR Motion Sensor



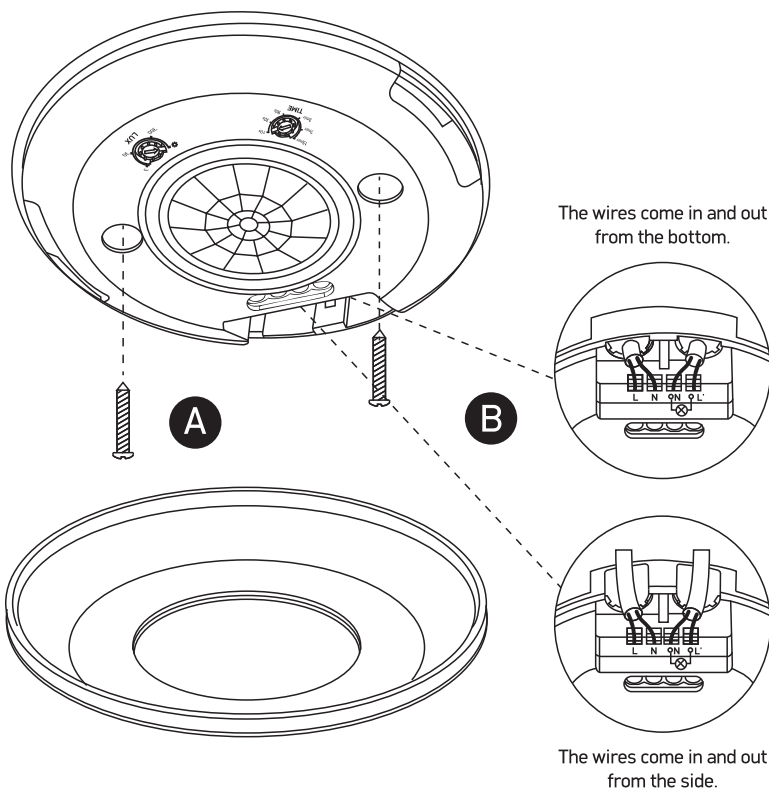
230V | 300W | IP20 | IR Motion sensor



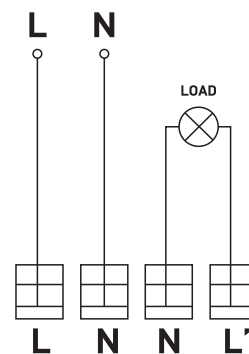
Time delay: 10sec ± 3sec to 15min ± 2 min (adjustable)
Ambient light: <3-2000lux (adjustable)
Suggested installation height: 2,2-4m



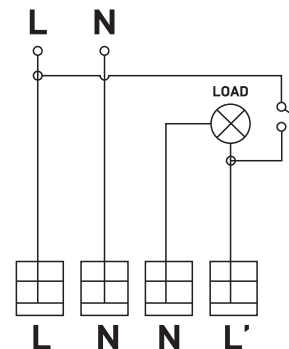
INSTALLATION



WIRING DIAGRAM

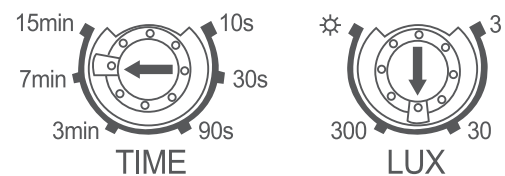


WIRING DIAGRAM WITH BYPASS SWITCH



TEST:

- Turn the TIME knob anti-clockwise on the minimum (10s). Turn the LUX knob clockwise on the maximum ☀.
- Switch on the power; the sensor and its connected lamp will have no signal at the beginning. After warm-up 30sec, the sensor can start work. If the sensor receives the induction signal, the lamp will turn on. While there is no another induction signal any more, the load should stop working within 10sec ± 3sec and the lamp would turn off.
- Turn LUX knob anti-clockwise on the minimum (3). If the ambient light is more than 3LUX, the sensor would not work and the lamp stop working too. If the ambient light is less than 3LUX (darkness), the sensor would work. Under no induction signal condition, the sensor should stop working within 10sec ± 3sec.



Note:

When testing in daylight, please turn LUX knob to ☀ position, otherwise the sensor lamp could not work! If the lamp is more than 60W, the distance between lamp and sensor should be 60cm at least.

Warnings:

1. Make sure that the product is installed properly before connecting to electricity.
2. Do not cover the fitting.
3. Maintenance and installation should only be carried out by a professional electrician.