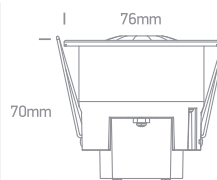


INSTALLATION MANUAL

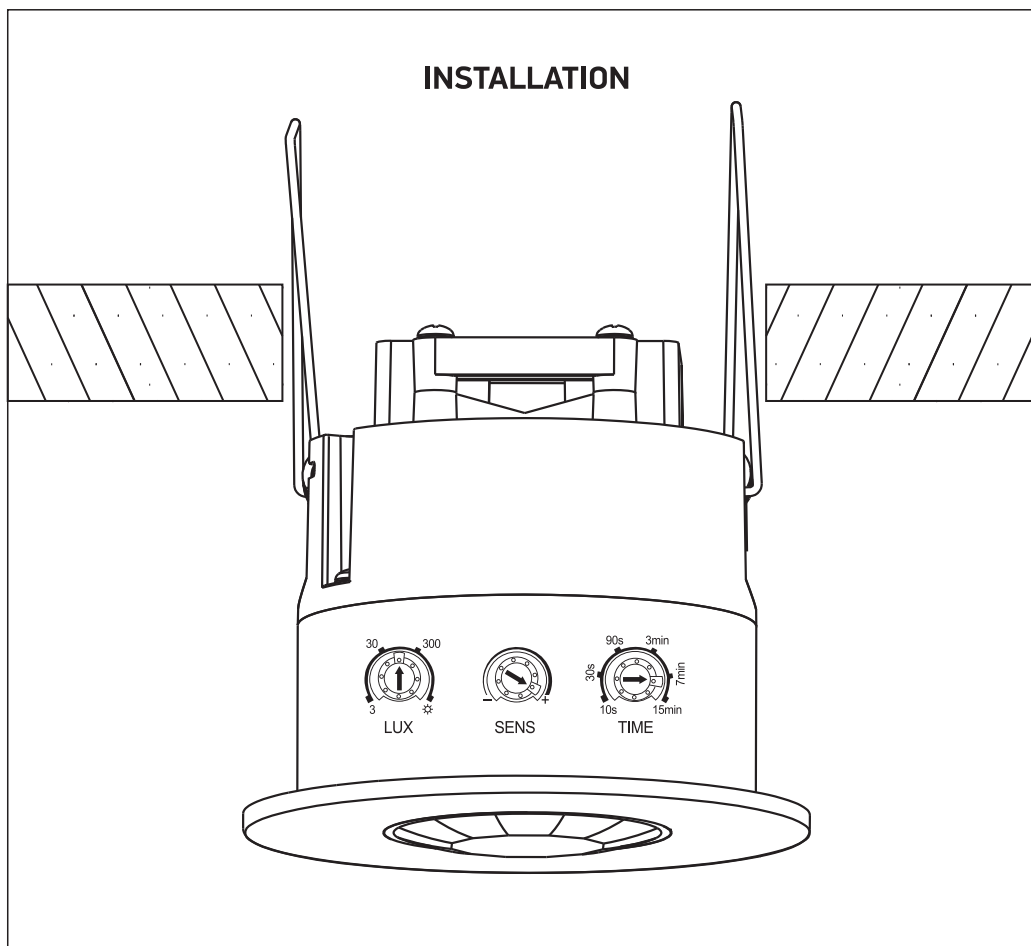
22008P



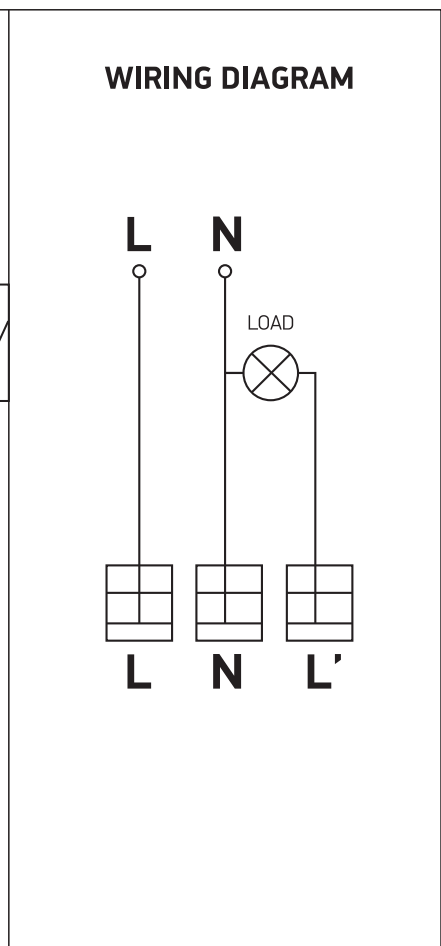
230V | 800W | IP20
Recessed infrared motion & presence sensor

Time Delay: 10sec ± 3sec to 15min ± 2 min (adjustable)
Ambient Light: <3-2000lux (adjustable)
Installation height: 2,2-4m

INSTALLATION

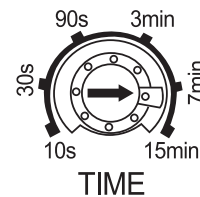


WIRING DIAGRAM



TEST:

- Turn the TIME knob anti-clockwise to the minimum (10s). Turn the SENS knob clockwise to the maximum (+). Turn the LUX knob clockwise to the maximum. ☀
- Switch on the power; the sensor and it's connected lamp will have no signal at the beginning. After Warm-up 30sec, the sensor can work. If the sensor detects motion, it will work.
- Turn LUX knob anti-clockwise to the minimum (3). If the ambient light is more than 3LUX, the sensor will not work. If the ambient light is less than 3LUX (darkness), the sensor will work.



Note:

When testing in daylight, please turn LUX knob to ☀ position, otherwise the sensor will not work!

Warnings:

1. Make sure that the product is installed properly before connecting to electricity.
2. Do not cover the fitting.
3. Maintenance and installation should only be carried out by a professional electrician.