

INSTALLATION MANUAL

38108N/./V

LED
BUILT IN

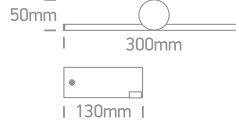


90
CRI

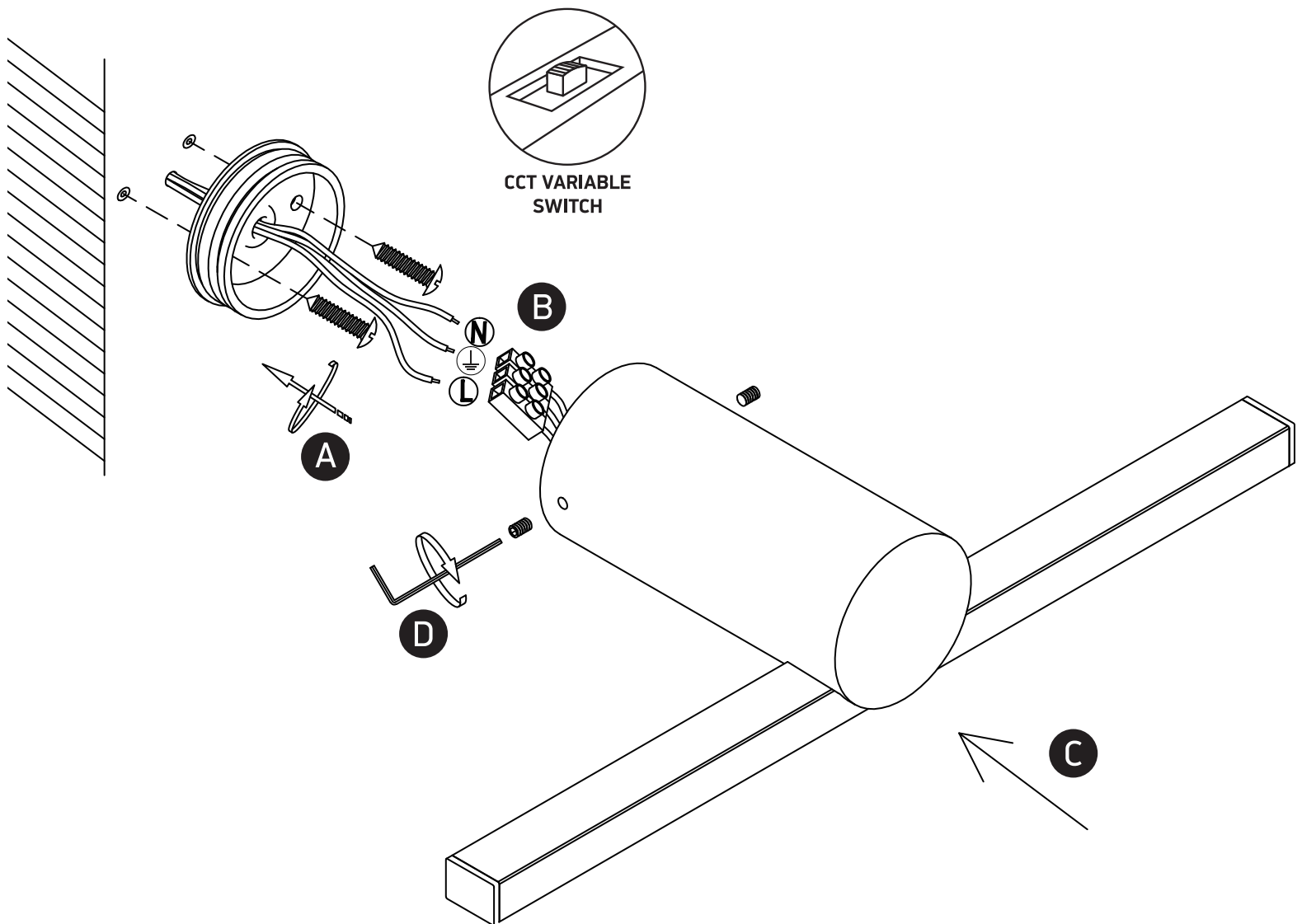
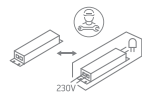


EAC

UK
CA



230V | SMD | CCT V | 8W | IP44 | Aluminium + PC
Complete with 180mA driver.



Warnings:

1. Make sure that the product is installed properly before connecting to electricity.
2. Do not cover the fitting.
3. Maintenance and installation should only be carried out by a professional electrician.