

# INSTALLATION MANUAL

38118LC, 38136LC, 38145LC

**ecolight**



80  
CRI



100-240V | SMD 2835 | 18W / 36W / 45W | 50/60Hz | IP65 | PC

Complete with driver



**one**  
LIGHT

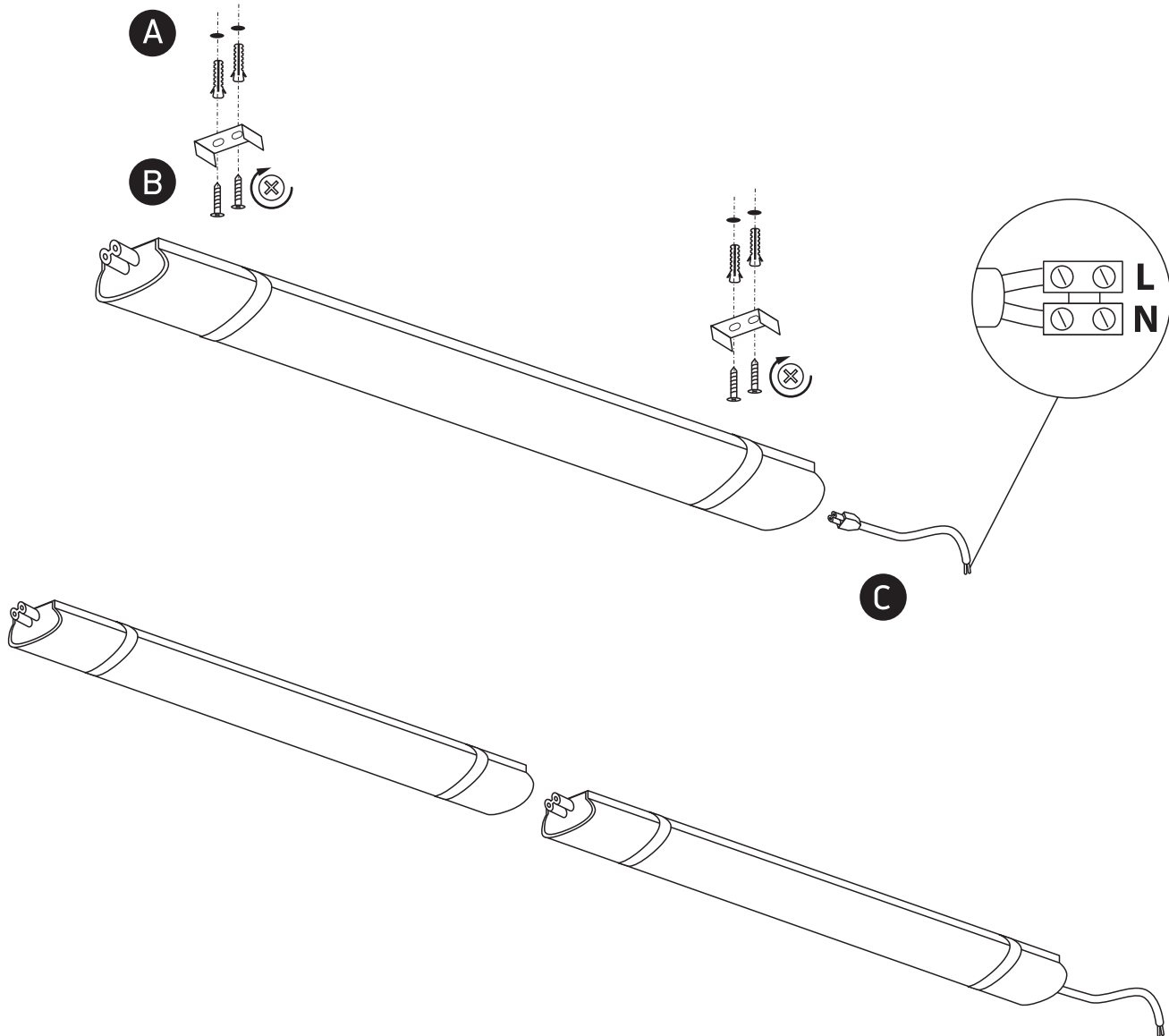
**38118LC**



**38136LC**



**38145LC**



38118LC connect 20 fittings maximum / 38136LC connect 10 fittings maximum / 38145LC connect 10 fittings maximum.

## Warnings:

1. Make sure that the product is installed properly before connecting to electricity.
2. Do not cover the fitting.
3. Maintenance and installation should only be carried out by a professional electrician.