

INSTALLATION MANUAL

38120M/V

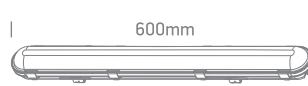
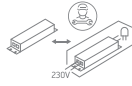
LED
BUILT IN



80
CRI



25W PV | SMD | CCT V | 230V | IP65 | PC
Complete with PV driver / Stainless steel clips.

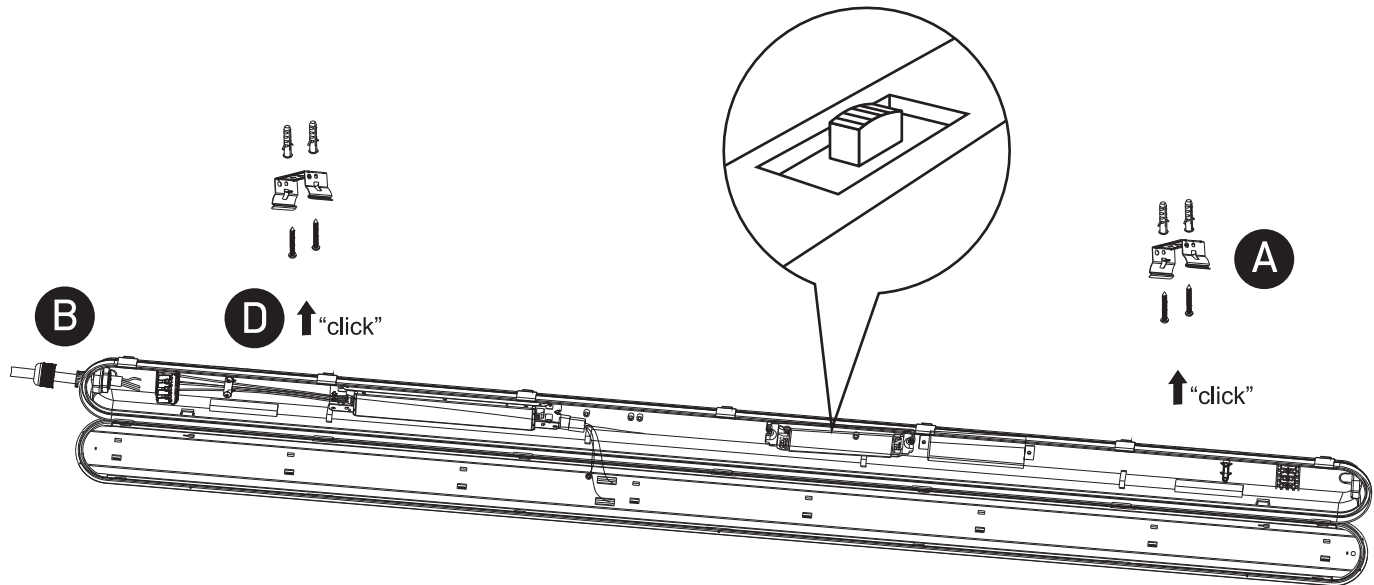


77mm



one
LIGHT

CCT & POWER VARIABLE SWITCHES



Power Selection

	1	2
14W 200mA	○	○
18W 250mA	●	○
22W 300mA	○	●
25W 350mA	●	●

Warnings:

1. Make sure that the product is installed properly before connecting to electricity.
2. Do not cover the fitting.
3. Maintenance and installation should only be carried out by a professional electrician.