

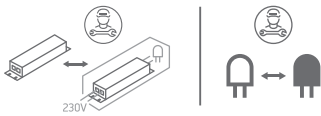
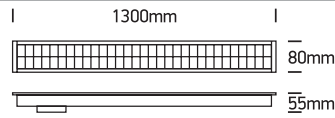
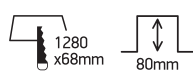
INSTALLATION MANUAL

38150BR

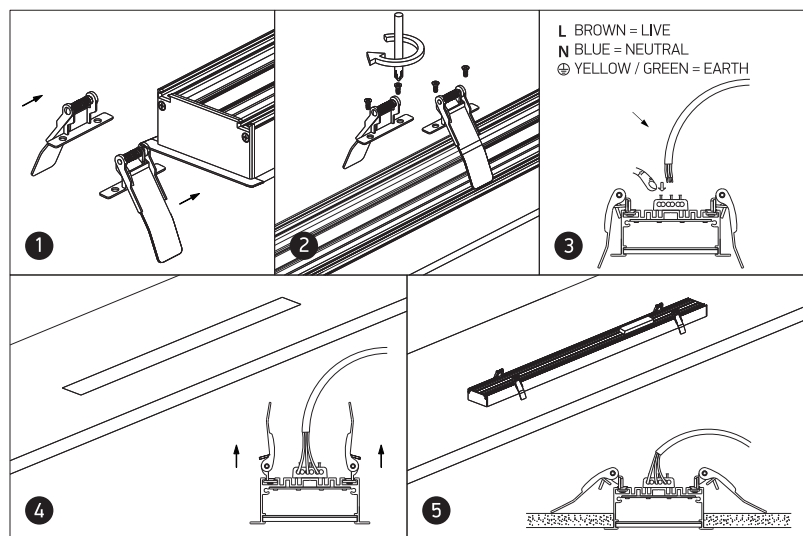
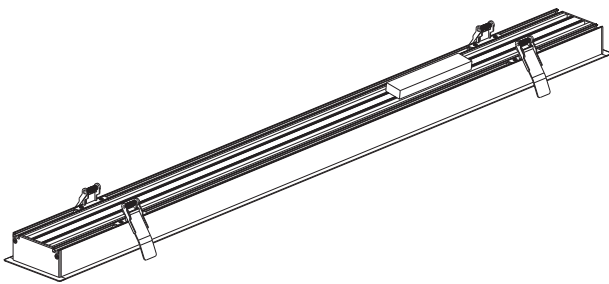


40W | SMD 3030 | 230V | IP20 | Aluminium

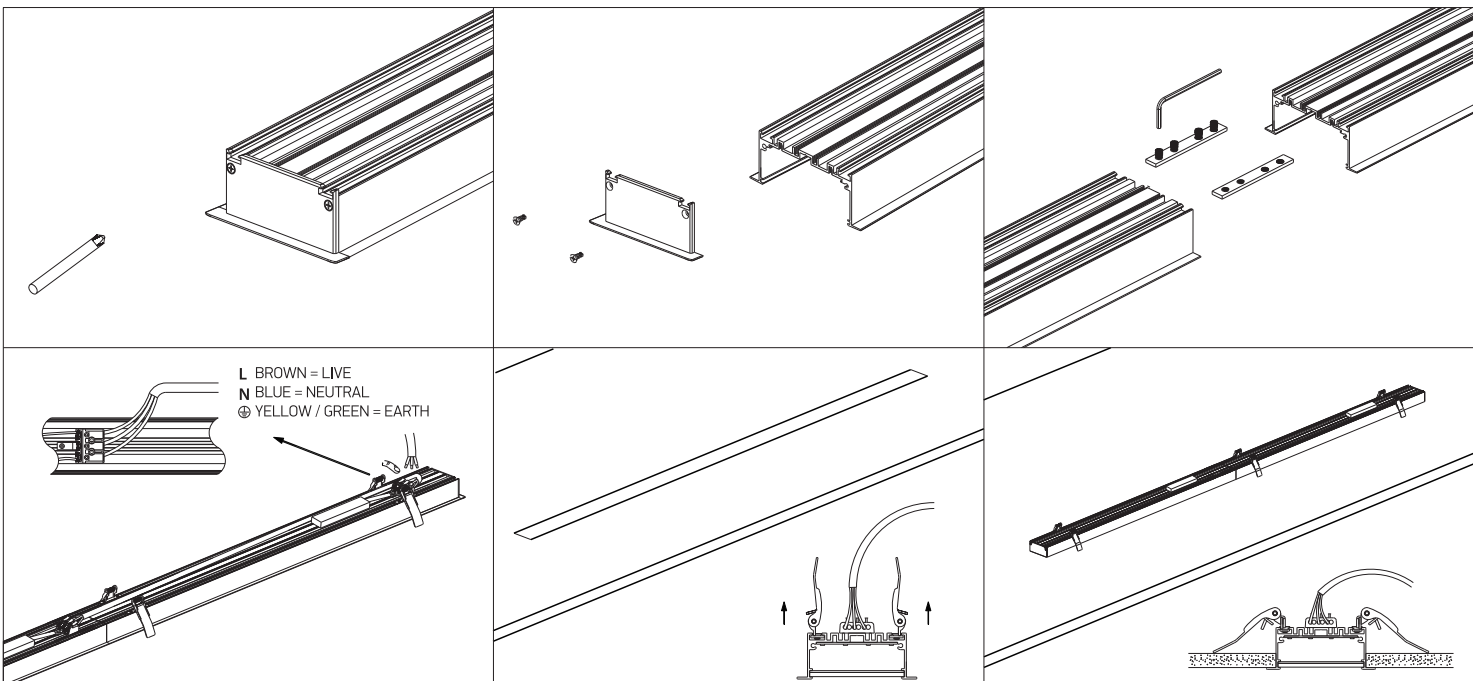
Complete with 1000mA driver.



A INSTALLATION



B CONNECTION



Warnings:

1. Make sure that the product is installed properly before connecting to electricity.
2. Do not cover the fitting.
3. Maintenance and installation should only be carried out by a professional electrician.