

INSTALLATION MANUAL

38150BU

ecolight

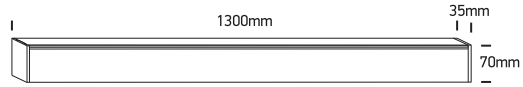


UGR17

90
CRI



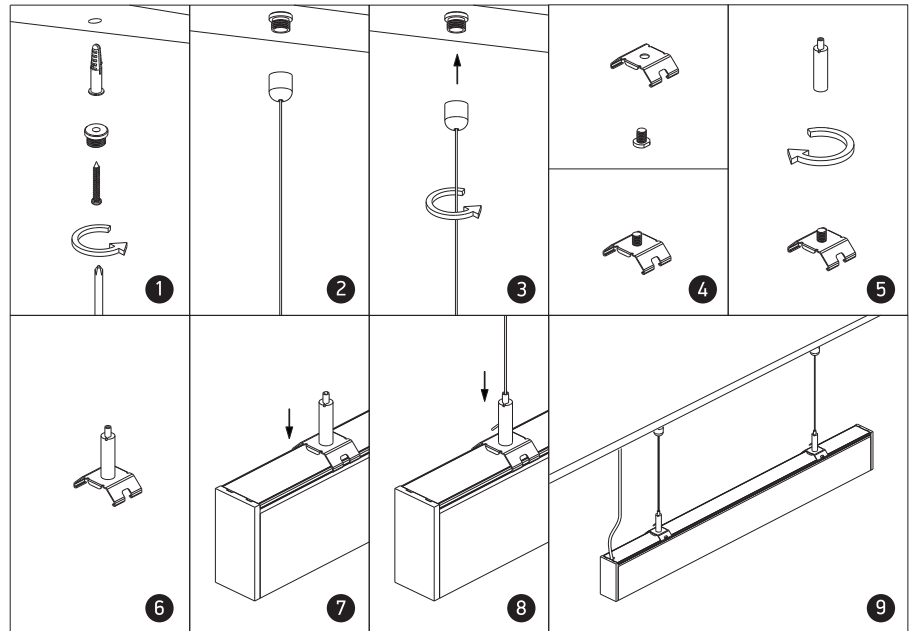
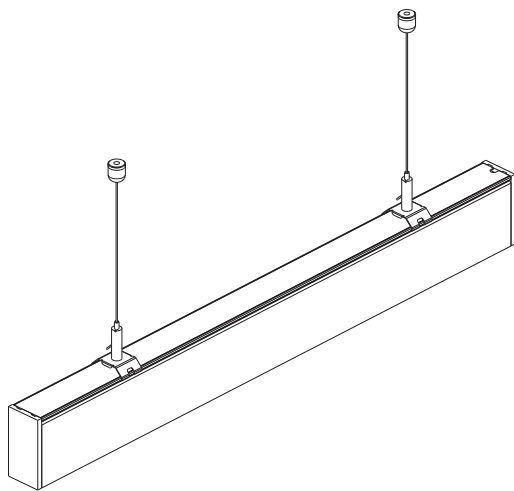
40W + 20W Uplight | LED | 230V | IP20 | Aluminium
Complete with 1000mA + 500mA driver.



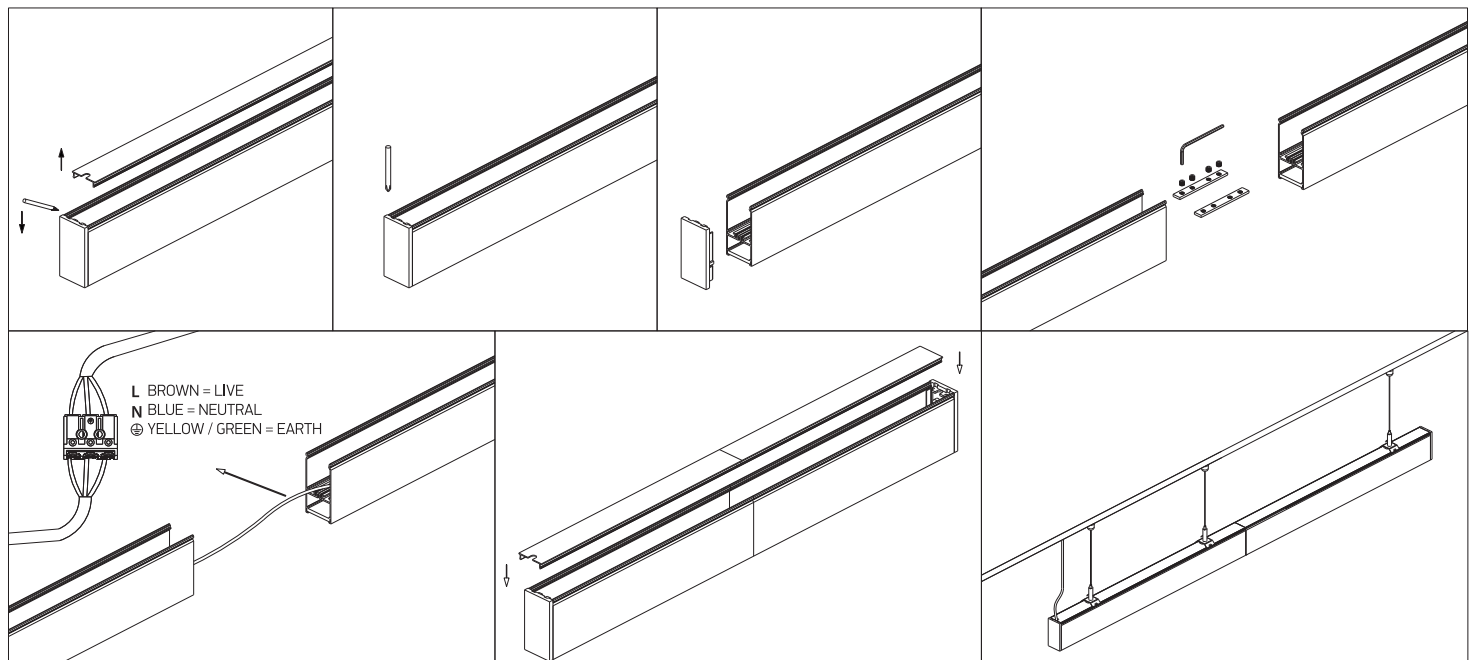
one
LIGHT



A INSTALLATION



B CONNECTION



Warnings:

1. Make sure that the product is installed properly before connecting to electricity.
2. Do not cover the fitting.
3. Maintenance and installation should only be carried out by a professional electrician.