

INSTALLATION MANUAL

38151A/V

LED
BUILT IN



UGR19



CE EAC

UK
CA



230V | SMD LED | 30/40/50W | IP20 | Diffuser | Aluminium
Complete with 1650mA driver / Can be connected in line.
Optional suspension kit 050170.

90
CRI

1500mm

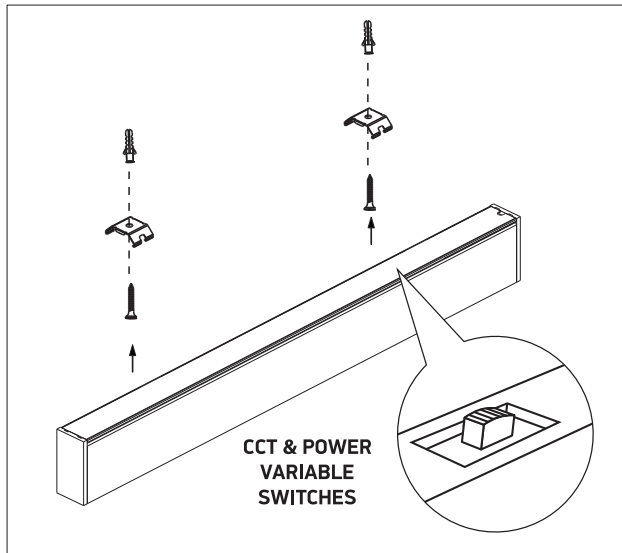
35mm

70mm

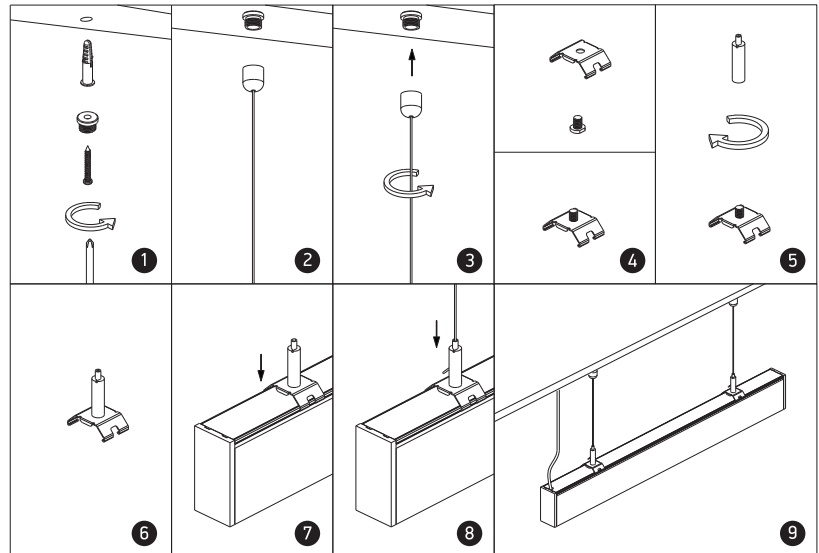
one
LIGHT



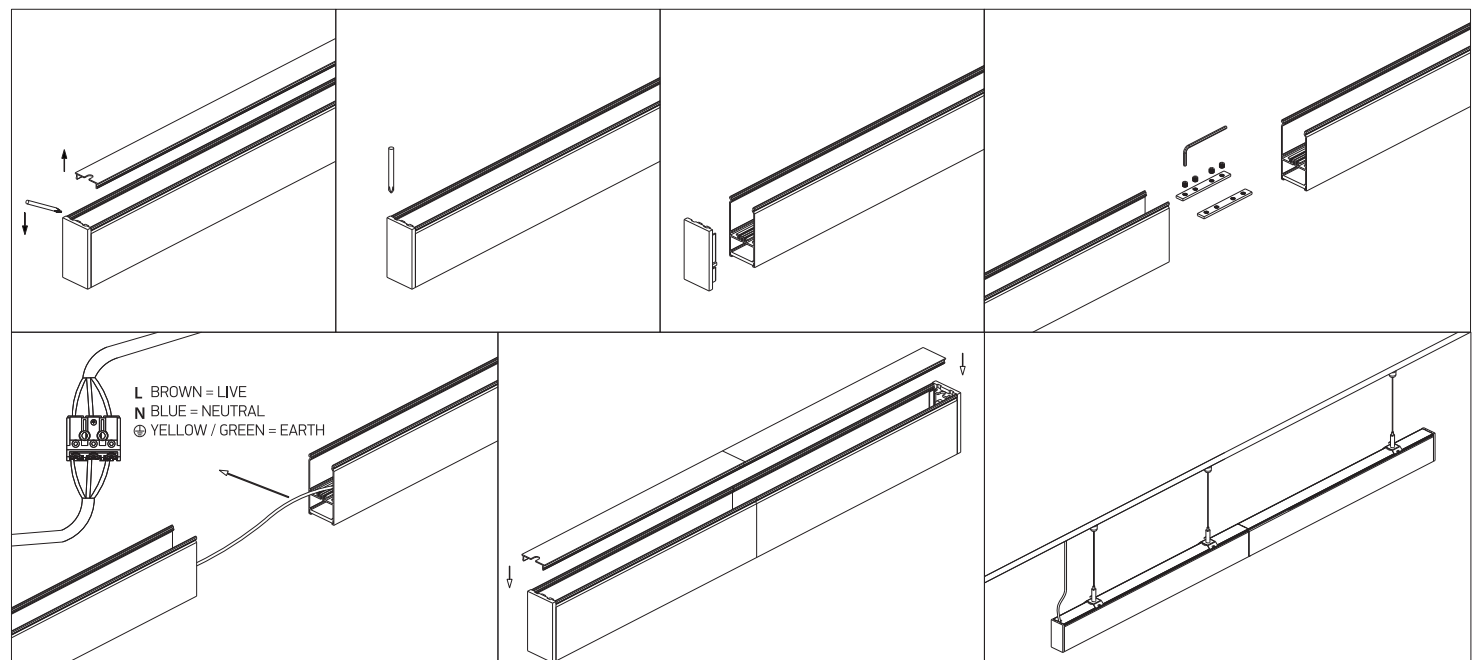
A SURFACE INSTALLATION



B SUSPENDED INSTALLATION



C CONNECTION



Warnings:

1. Make sure that the product is installed properly before connecting to electricity.
2. Do not cover the fitting.
3. Maintenance and installation should only be carried out by a professional electrician.