

INSTALLATION MANUAL

38161A

LED
BUILT IN



UGR19

90
CRI

CE ENEC UK
CA

RoHS
COMPLIANT

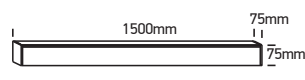
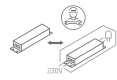


NOT
DIMMABLE

230V | SMD 2835 | 50W | IP20 | Aluminium

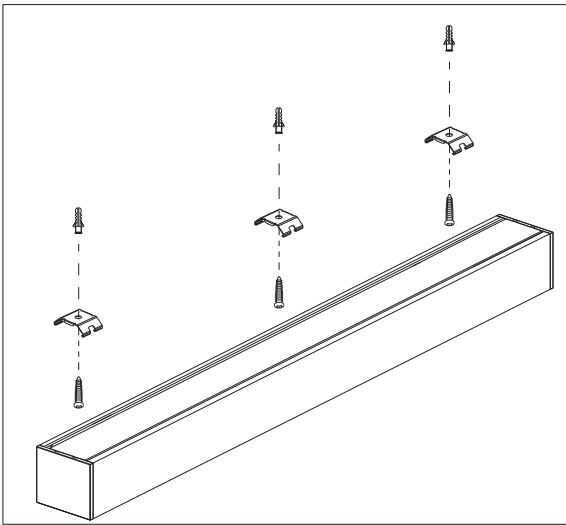
Complete with 1250mA driver / Can be connected in line.

Optional suspension kit 050170.

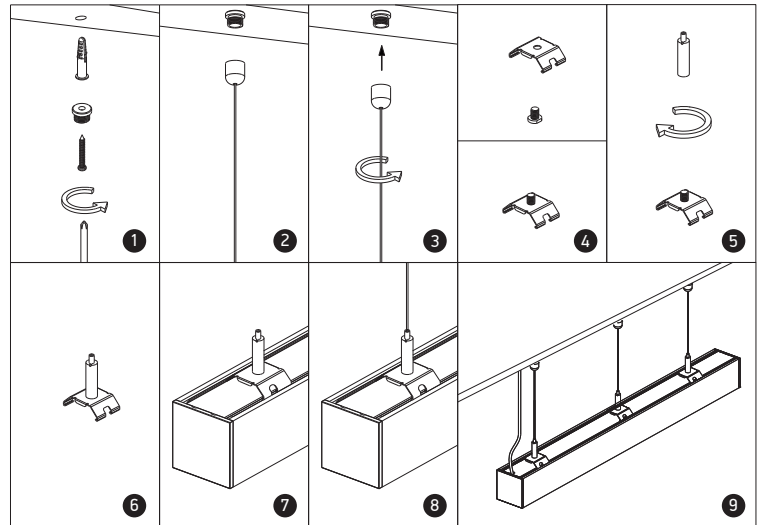


one
LIGHT

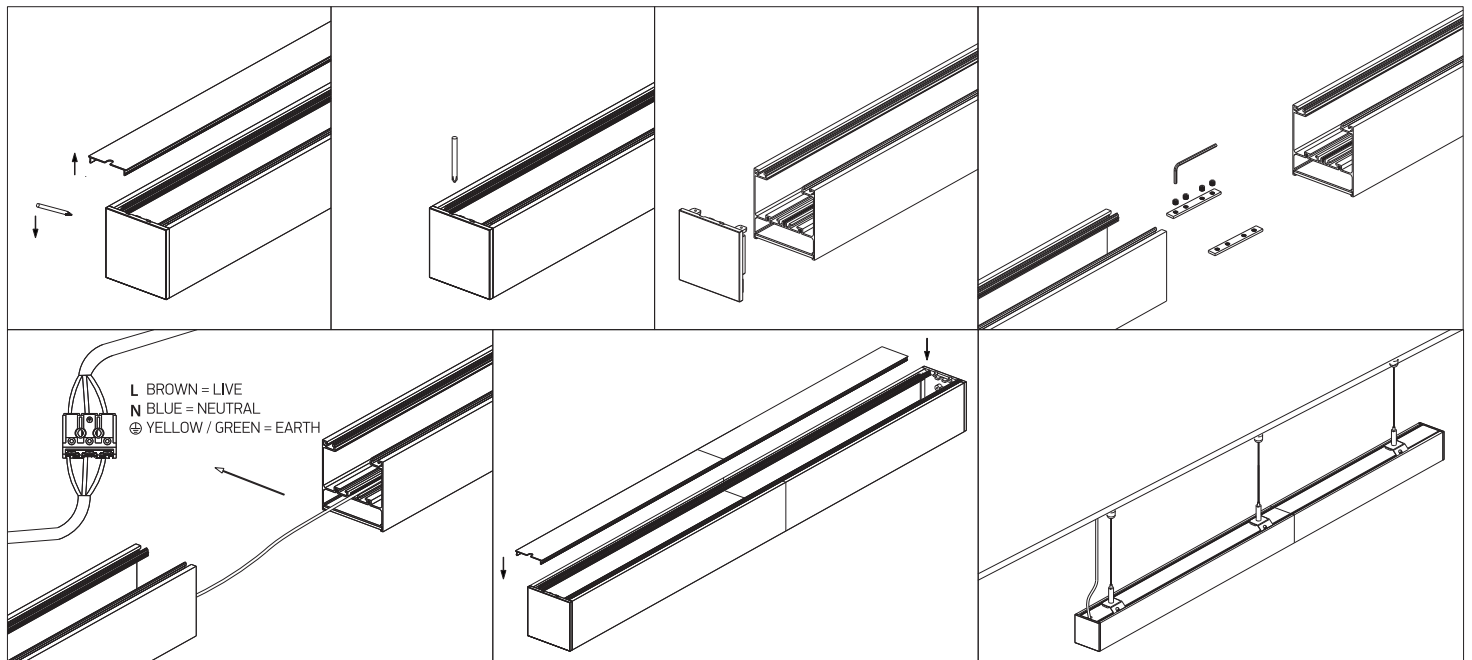
A SURFACE INSTALLATION



B SUSPENDED INSTALLATION



C CONNECTION



Warnings:

1. Make sure that the product is installed properly before connecting to electricity.
2. Do not cover the fitting.
3. Maintenance and installation should only be carried out by a professional electrician.