

INSTALLATION MANUAL

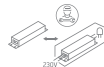
38225M/V, 38248M/V, 38250M/V



LED
BUILT IN



80
CRI



38225M: 230V | SMD LED | 25W | IP20 | Aluminium + plastic



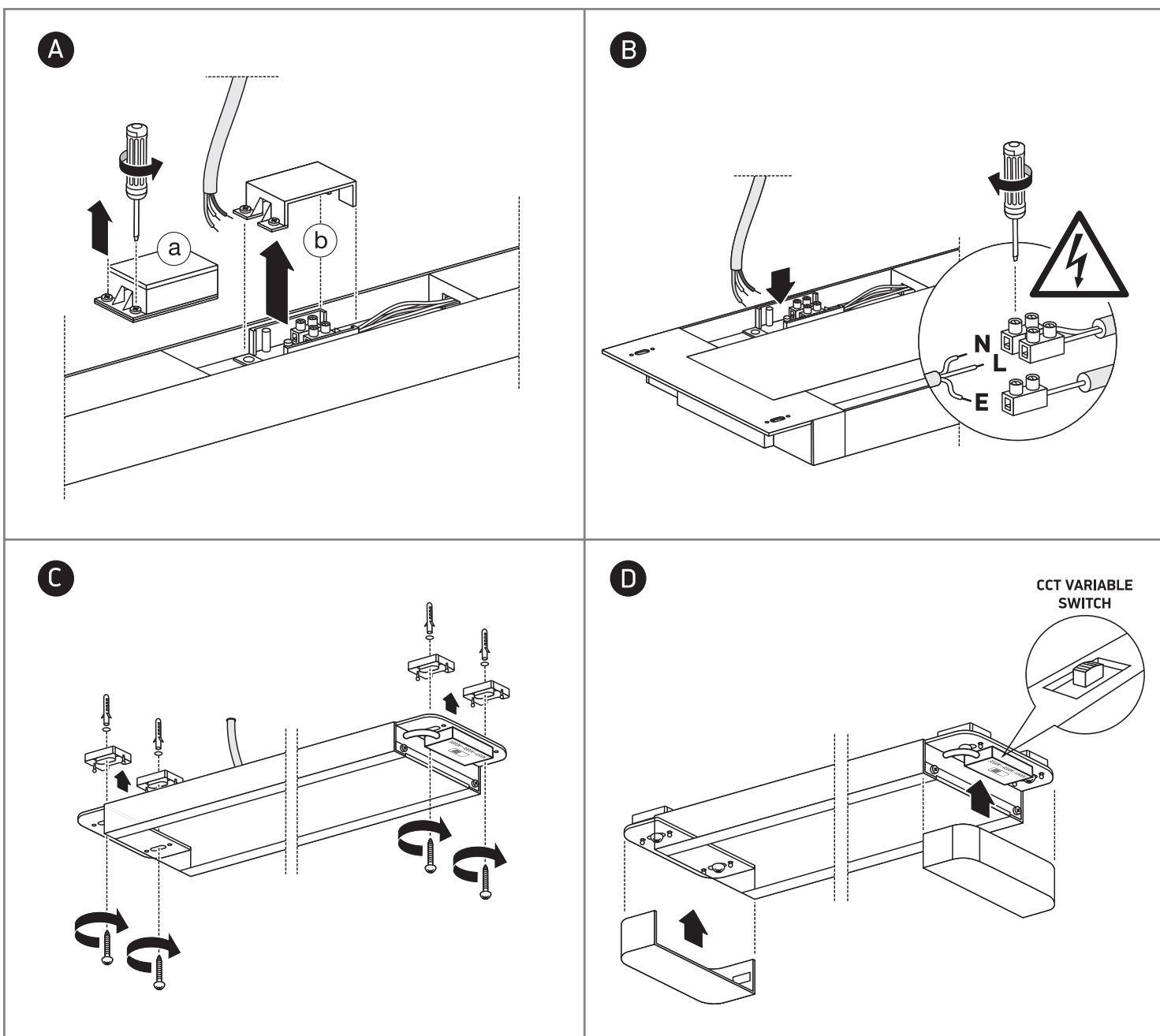
38248M: 230V | SMD LED | 48W | IP20 | Aluminium + plastic



38250M: 230V | SMD LED | 50W | IP20 | Aluminium + plastic



Complete with driver.



Warnings:

1. Make sure that the product is installed properly before connecting to electricity.
2. Do not cover the fitting.
3. Maintenance and installation should only be carried out by a professional electrician.