

INSTALLATION MANUAL

40003R

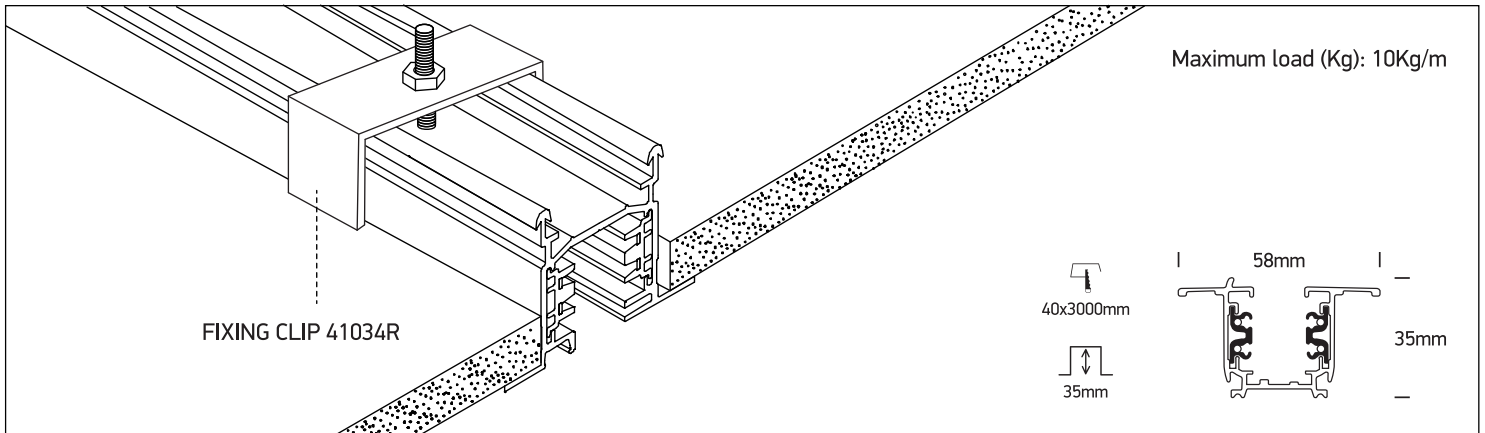
Aluminium 3m Recessed track | 3 phase | 16A | 100-240V



one
LIGHT

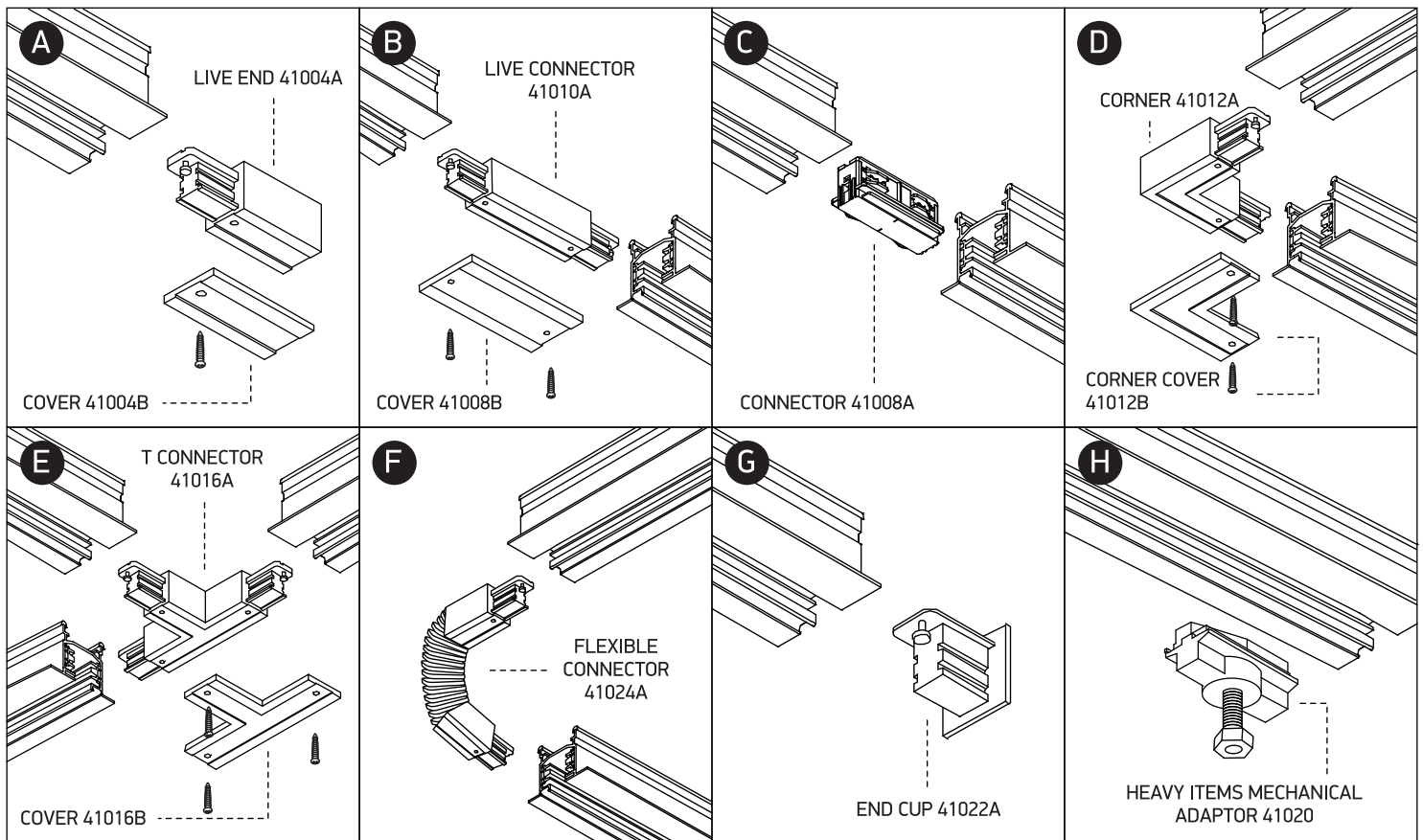
INSTALLATION:

1. Cut the false ceiling to the desired length.
2. Drill track for the installation of fixing clip. Keep a distance of 10cm from the track ends so that the connector can be installed.
3. Install fixing clip 41034R on the back side of the track with screw fully extended and fixing clip parallel to the track.
We recommend 2 fixing clips for 1m track, 3 fixing clips for 2m track and 4 fixing clips for 3m track.
4. Install track in the ceiling.
5. Screw fixing clip until it fixes on the ceiling firmly.



TRACK ACCESSORIES:

1. Please make sure that power is off before connecting any accessory.
2. Please check the polarity of the track and accessories.



Warnings:

1. Make sure that the product is installed properly before connecting to electricity.
2. Do not cover the fitting.
3. Maintenance and installation should only be carried out by a professional electrician.