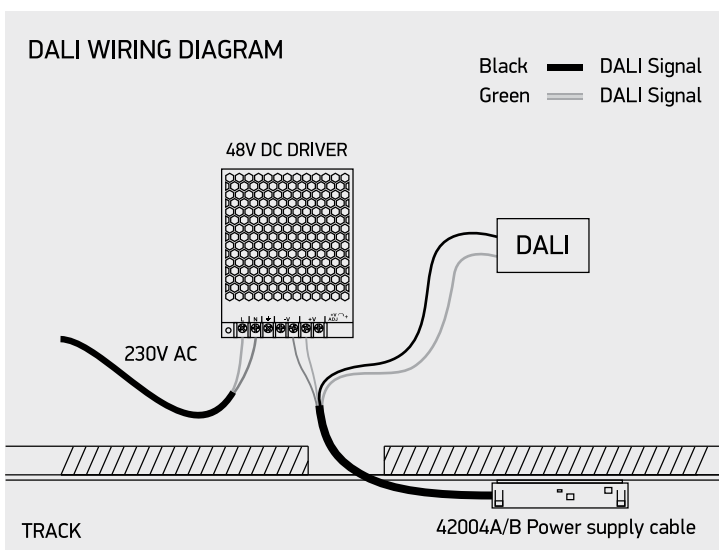
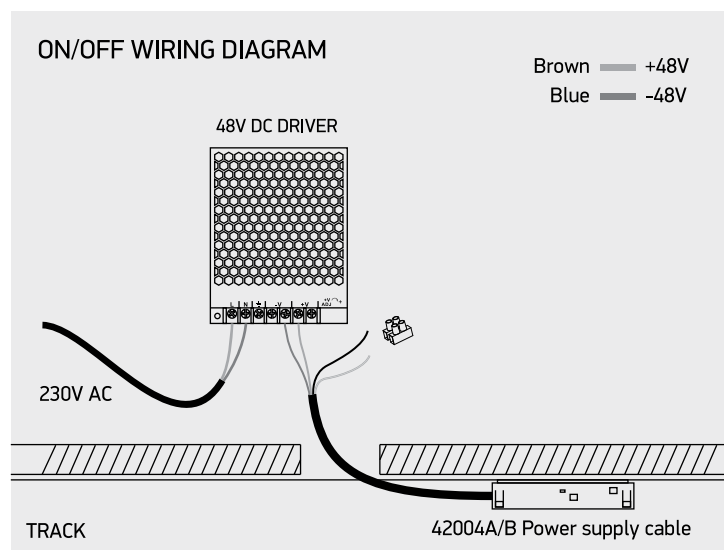
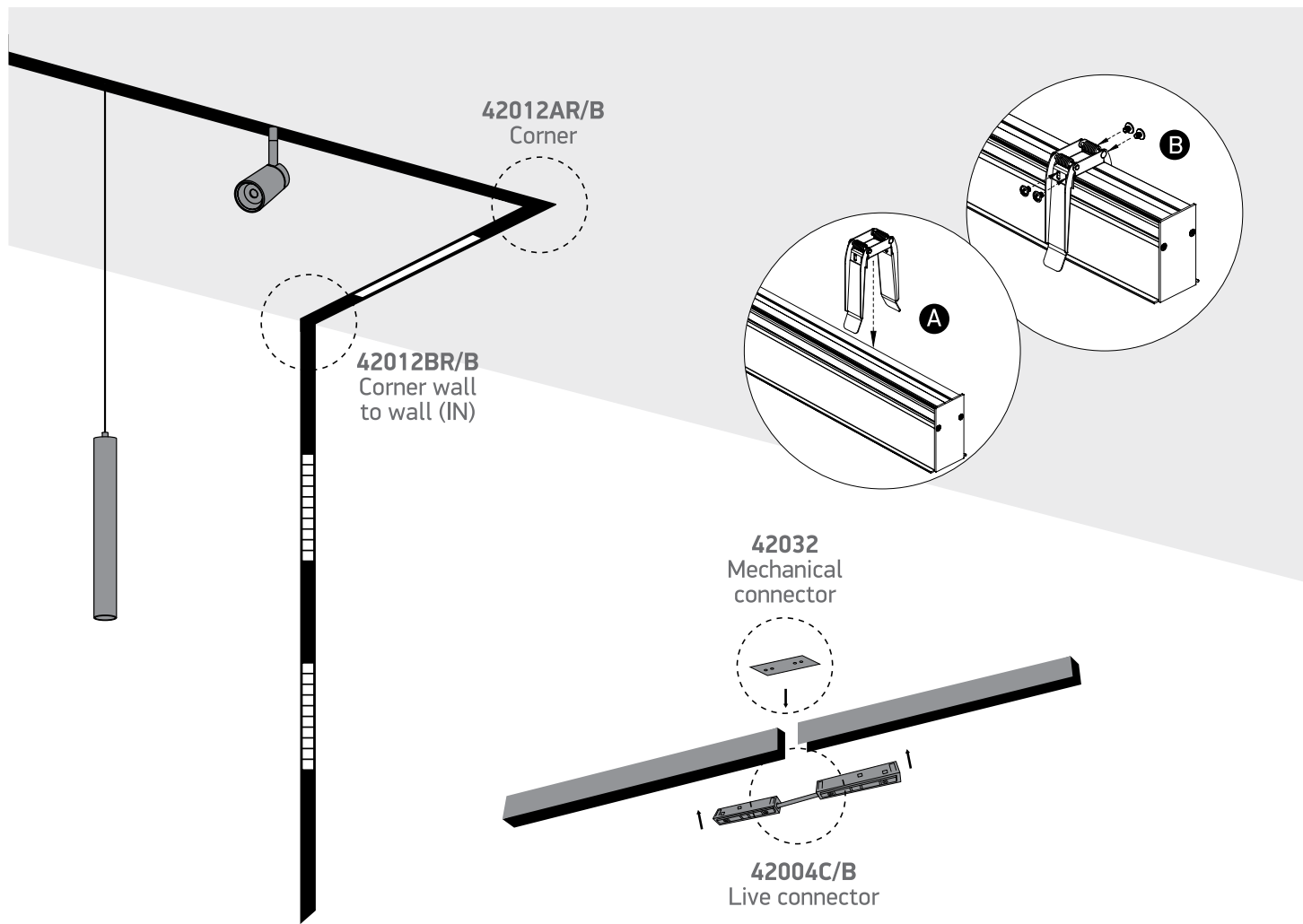
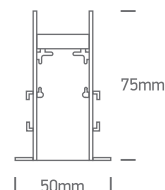


INSTALLATION MANUAL

42001R, 42002R

48V | 1m/2m Recessed track | ON/OFF / DALI | Aluminium
Max 10m/driver | Max 400W/circuit



Warnings:

1. Make sure that the product is installed properly before connecting to electricity.
2. Do not cover the fitting.
3. Maintenance and installation should only be carried out by a professional electrician.