

INSTALLATION MANUAL

42110

LED
BUILT IN



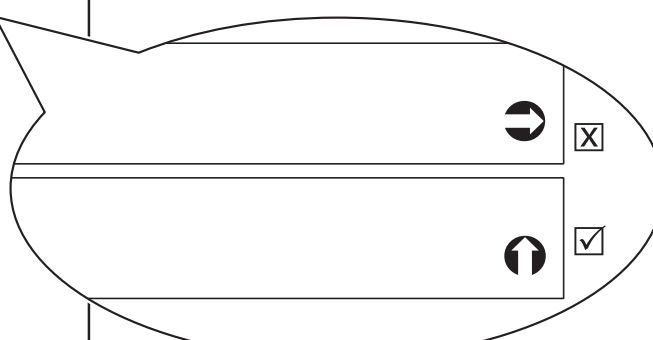
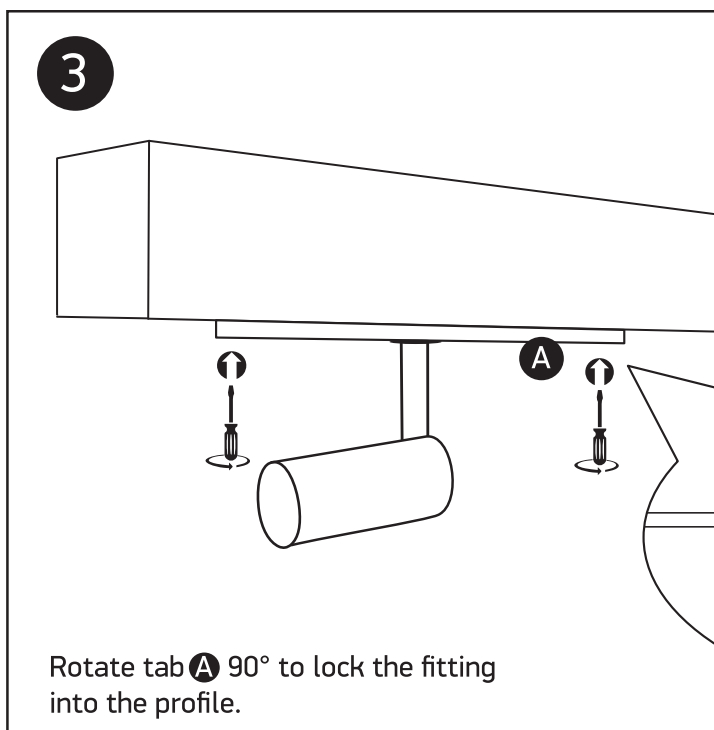
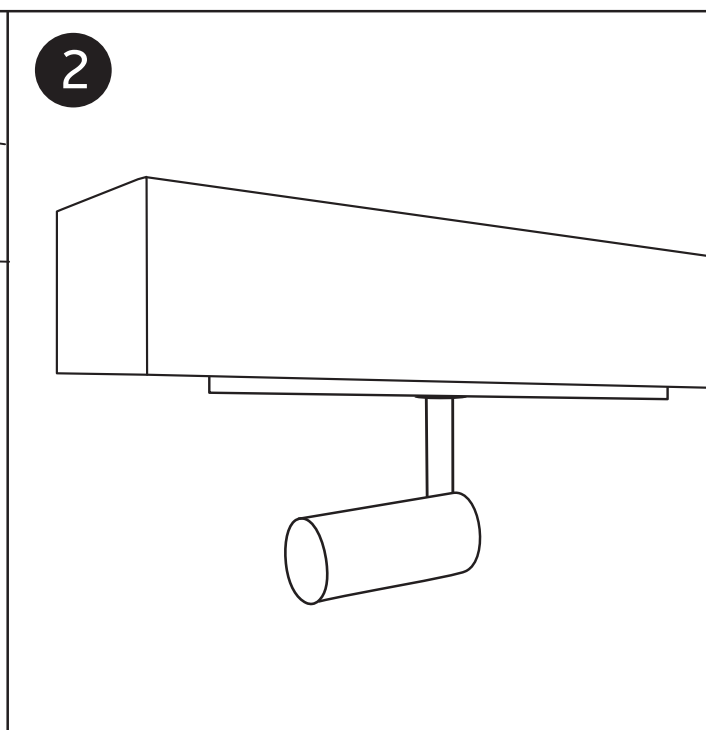
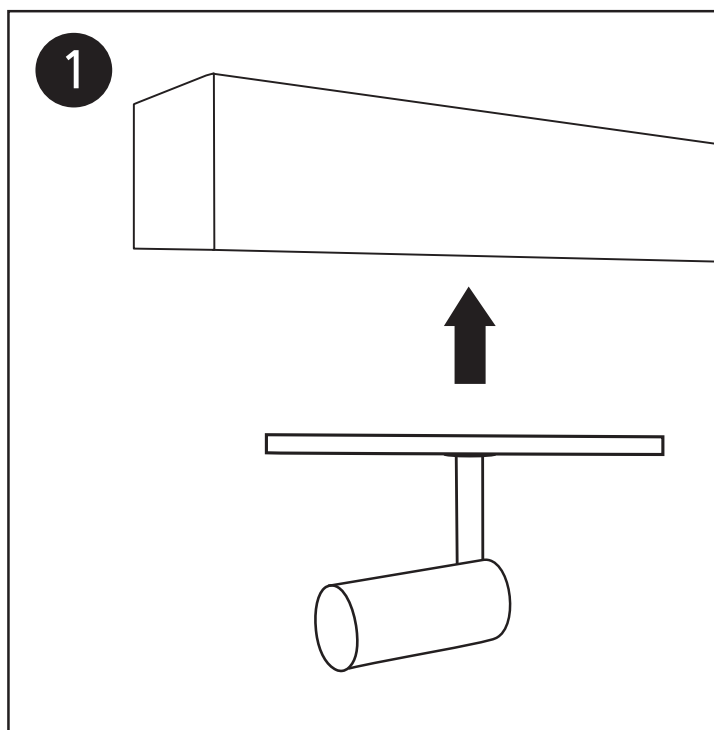
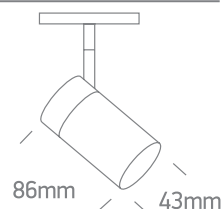
CE ENEC UK CA

RoHS
COMPLIANT



48V DC | COB LED | 8W | IP20 | Aluminium

90
CRI



Warnings:

1. Make sure that the product is installed properly before connecting to electricity.
2. Do not cover the fitting.
3. Maintenance and installation should only be carried out by a professional electrician.