

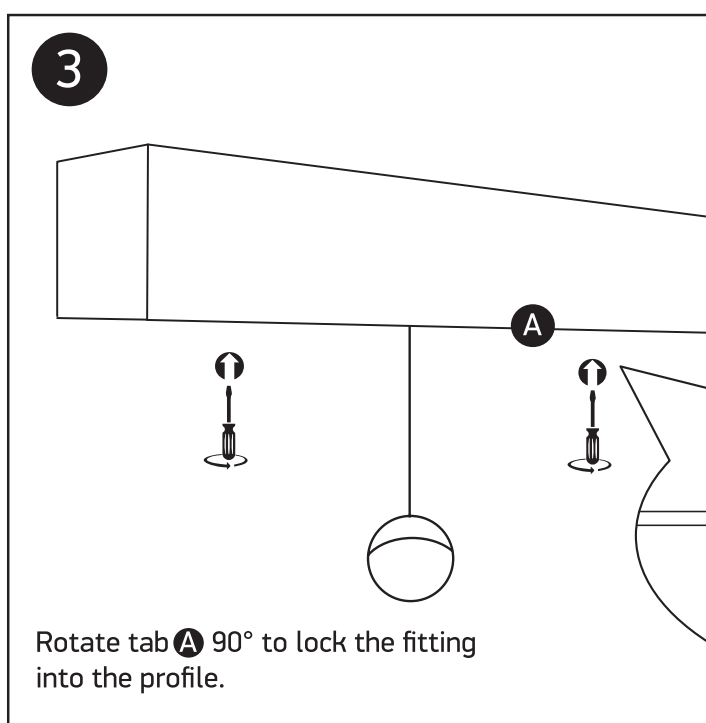
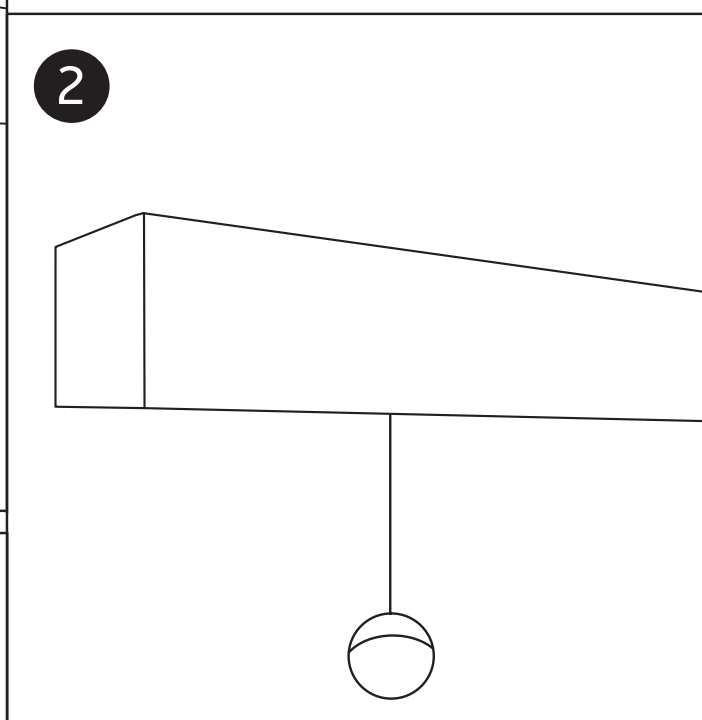
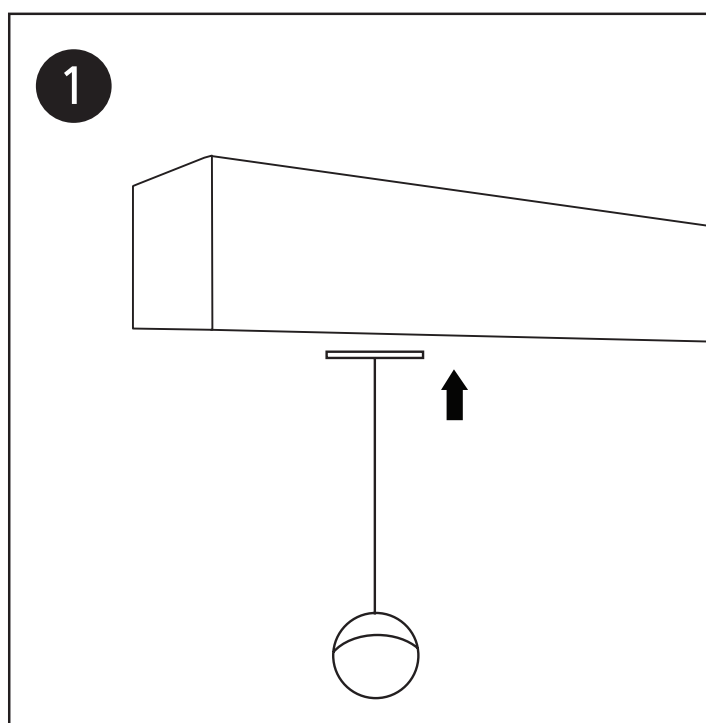
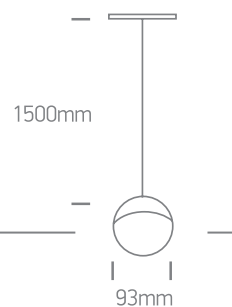
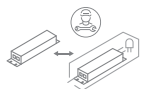
INSTALLATION MANUAL

42136



48V | SMD LED | 10W | IP20
Aluminium + acrylic

90
CRI



Warnings:

1. Make sure that the product is installed properly before connecting to electricity.
2. Do not cover the fitting.
3. Maintenance and installation should only be carried out by a professional electrician.