

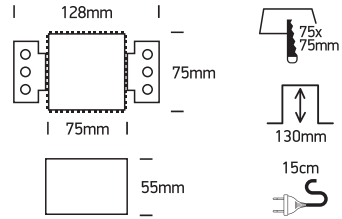
INSTALLATION MANUAL

50105RM

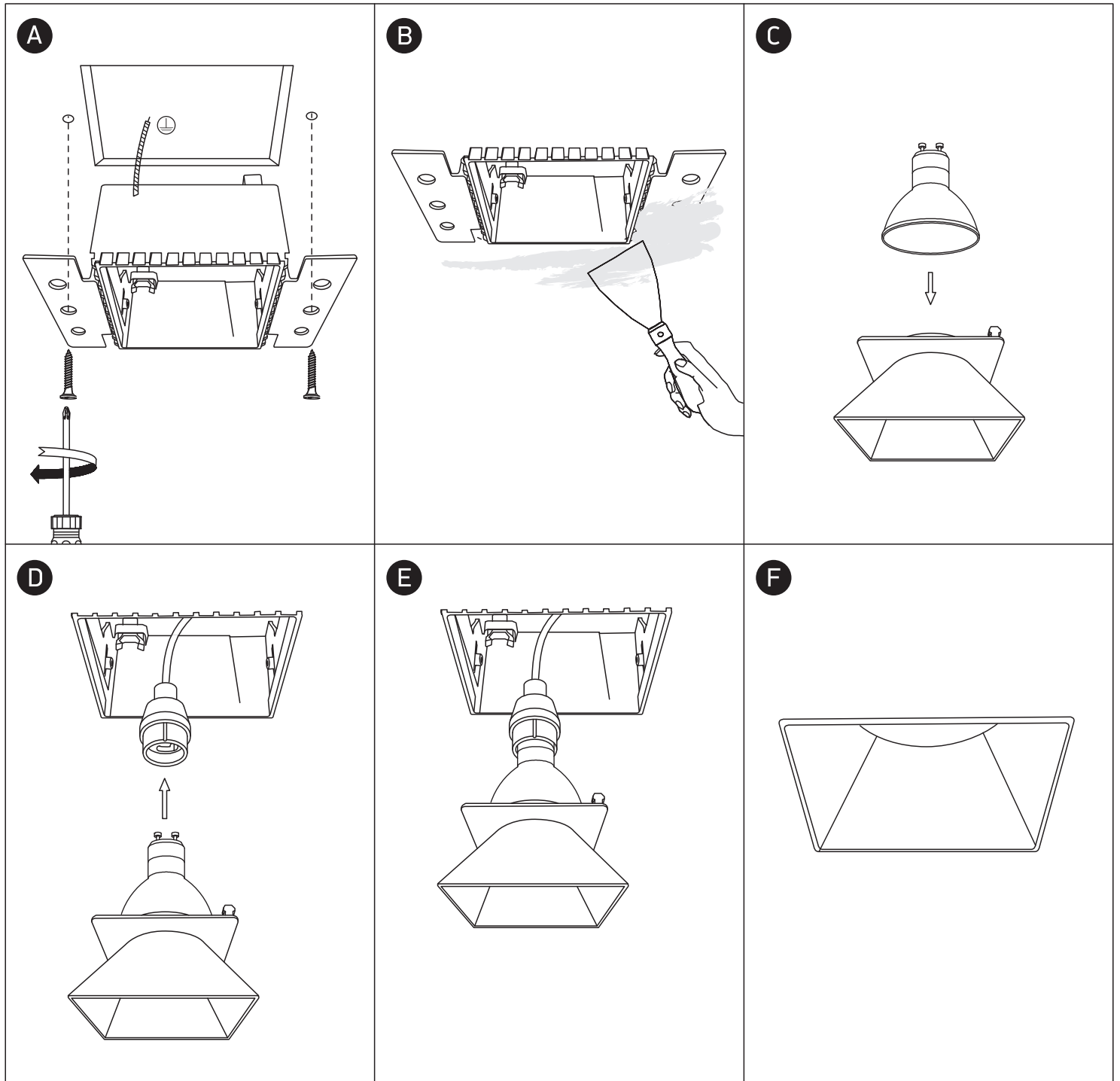


100-240V | MR16 | GU10 | 10W | IP20
Trimless | Die cast body + plastic reflector

Reflector must be ordered separately.
Order code 050098.



one
LIGHT



Warnings:

1. Make sure that the product is installed properly before connecting to electricity.
2. Do not cover the fitting.
3. Maintenance and installation should only be carried out by a professional electrician.