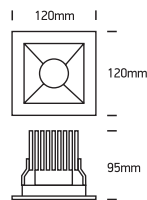


# INSTALLATION MANUAL

50120B

**ecodownlight**

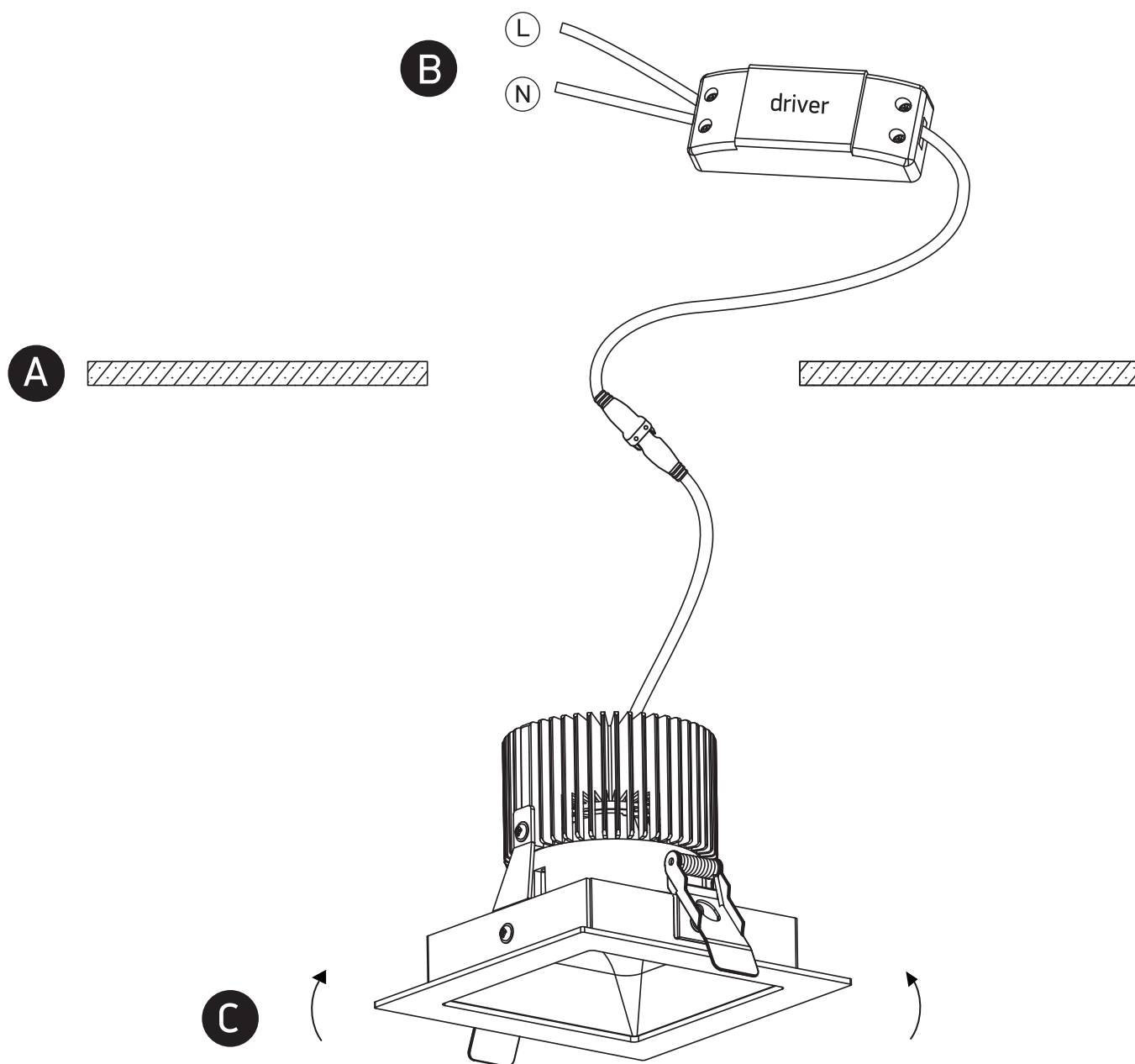


230V | 20W | IP20 | Aluminium + metal  
Complete with 500mA driver.



80 CRI

**one**  
LIGHT



## Warnings:

1. Make sure that the product is installed properly before connecting to electricity.
2. Do not cover the fitting.
3. Maintenance and installation should only be carried out by a professional electrician.