

# INSTALLATION MANUAL

50116FA, 50122FA, 50130FA

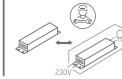
LED  
BUILT IN



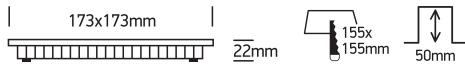
CE EAC UK CA



Complete with driver.

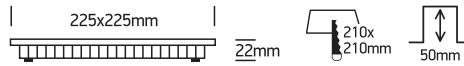


**50116FA:** 230V | SMD 2835 | 16W | IP20 | Die cast

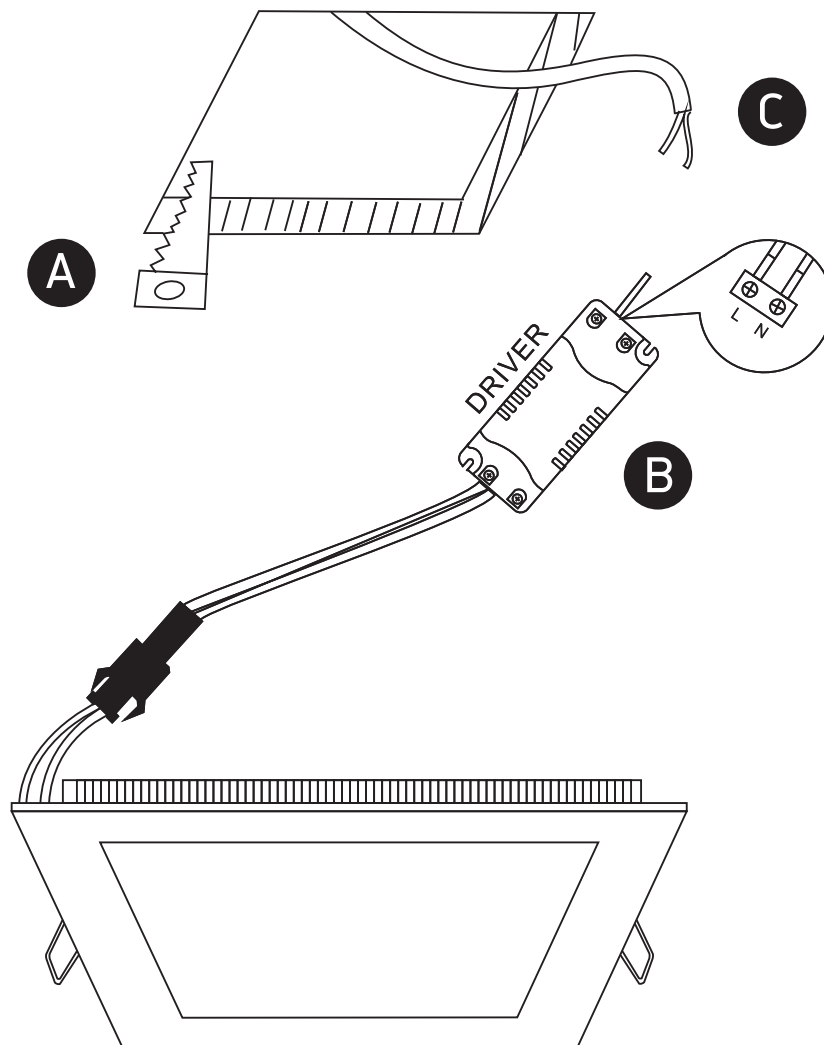
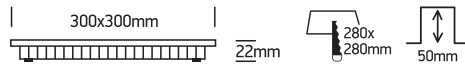


Optional dimmable driver code 89024UT.

**50122FA:** 230V | SMD 2835 | 22W | IP20 | Die cast



**50130FA:** 230V | SMD 2835 | 30W | IP20 | Die cast



## Warnings:

1. Make sure that the product is installed properly before connecting to electricity.
2. Do not cover the fitting.
3. Maintenance and installation should only be carried out by a professional electrician.