

INSTALLATION MANUAL

50140BW/W/V

LED
BUILT IN



80
CRI

CE

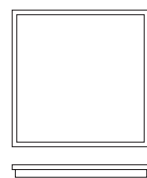
EAC

UK
CA

RoHS
COMPLIANT



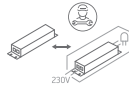
595mm



595mm

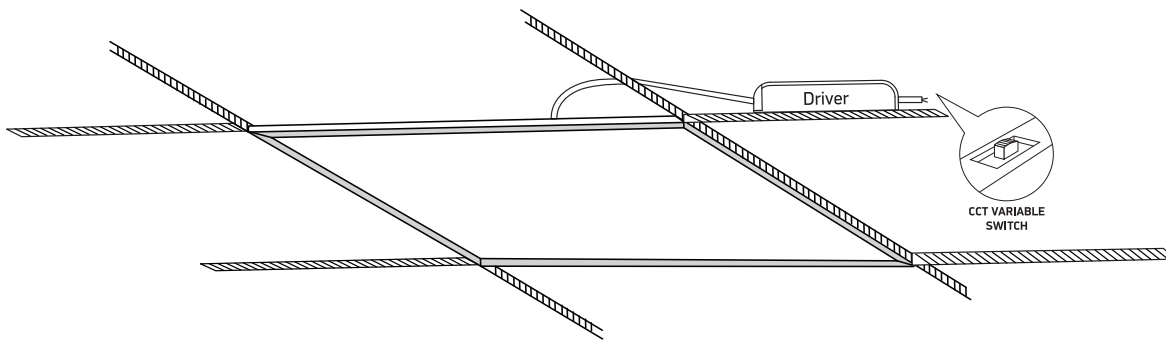
35mm

230V | SMD 2835 | 40W | IP65 | Aluminium + Steel
Complete with 950mA driver.

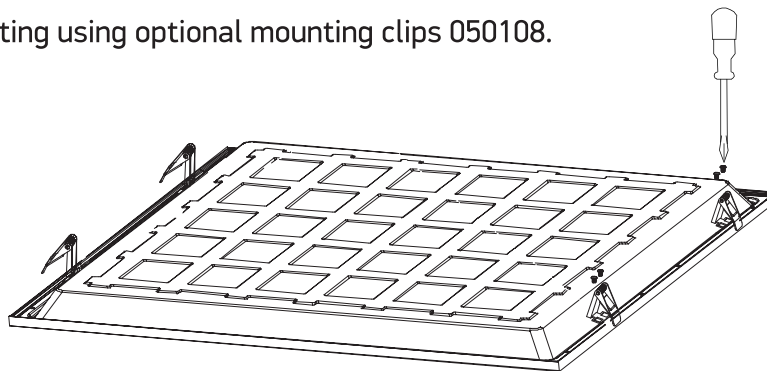


one
LIGHT

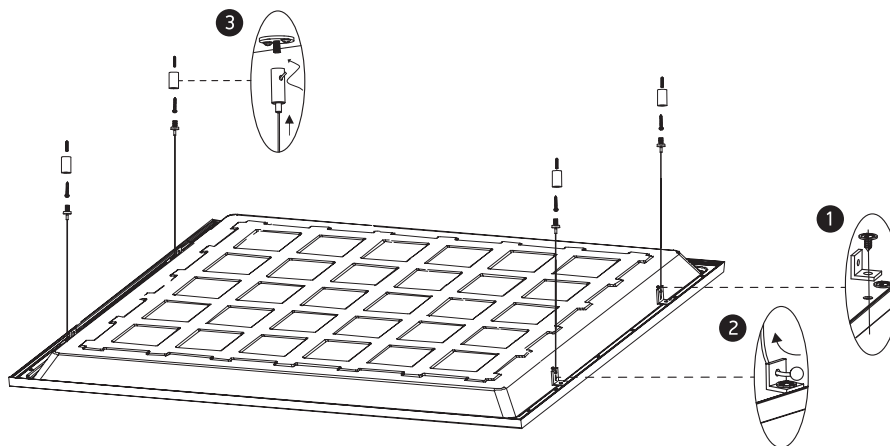
A Recessed fitting for 600x600mm T-rail false ceilings.



B Mounting fitting using optional mounting clips 050108.



C Ceiling mount suspended applications using optional kit 050017.



Warnings:

1. Make sure that the product is installed properly before connecting to electricity.
2. Do not cover the fitting.
3. Maintenance and installation should only be carried out by a professional electrician.