

INSTALLATION MANUAL

51012H

LED
BUILT IN



DARK
LIGHT



ADJUSTABLE

90
CRI

CE

EAC

UK
CA

RoHS
COMPLIANT



158mm

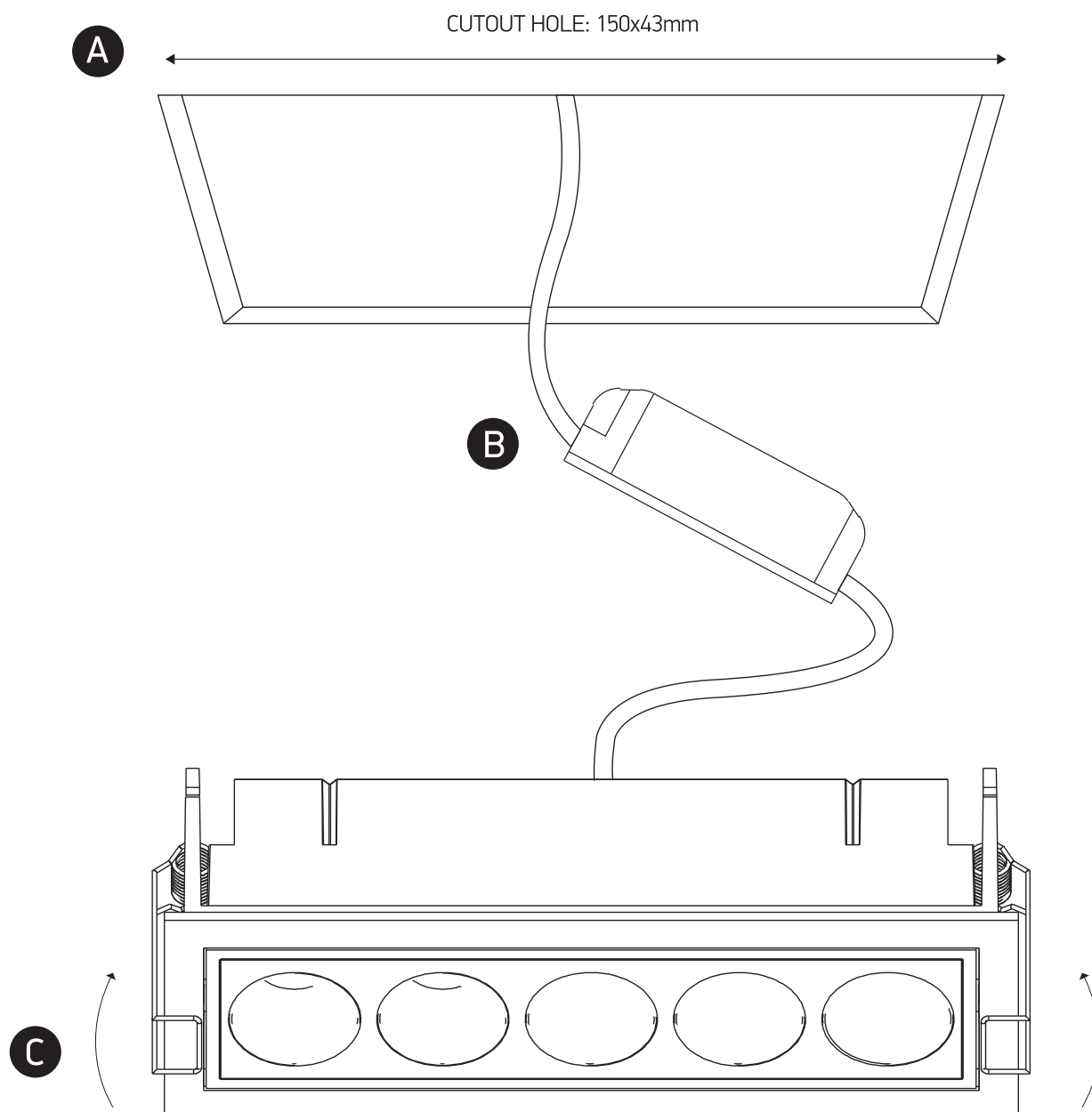
50mm

42mm

230V | SMD 3535 | 12W | IP20 | Adjustable | Aluminium
Complete with 700mA driver.



one
LIGHT



Warnings:

1. Make sure that the product is installed properly before connecting to electricity.
2. Do not cover the fitting.
3. Maintenance and installation should only be carried out by a professional electrician.