

INSTALLATION MANUAL

51211C

LED
BUILT IN



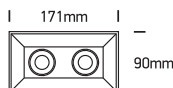
DARK
LIGHT



ADJUSTABLE

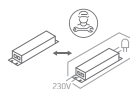
CE ENEC UK CA

RoHS
COMPLIANT

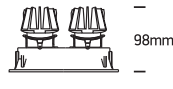
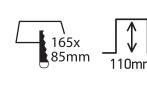


230V | COB LED | 2x11W | IP20 | Die cast | Adjustable

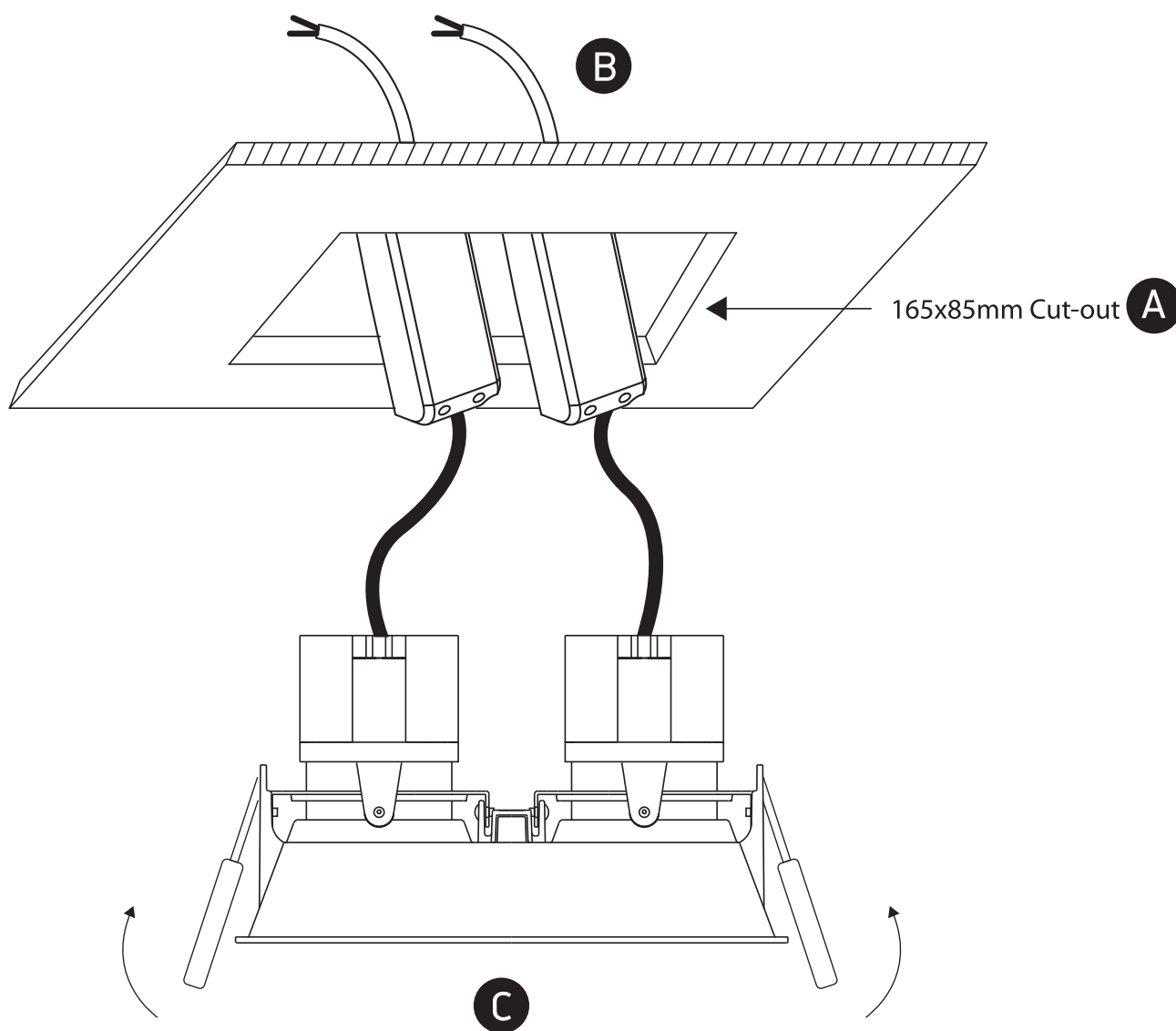
Complete with 250mA drivers.
Complete with Black & Brass reflectors.



90
CRI



one
LIGHT



Warnings:

1. Make sure that the product is installed properly before connecting to electricity.
2. Do not cover the fitting.
3. Maintenance and installation should only be carried out by a professional electrician.