

INSTALLATION MANUAL

51406B

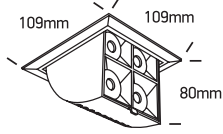
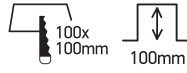
ecolight



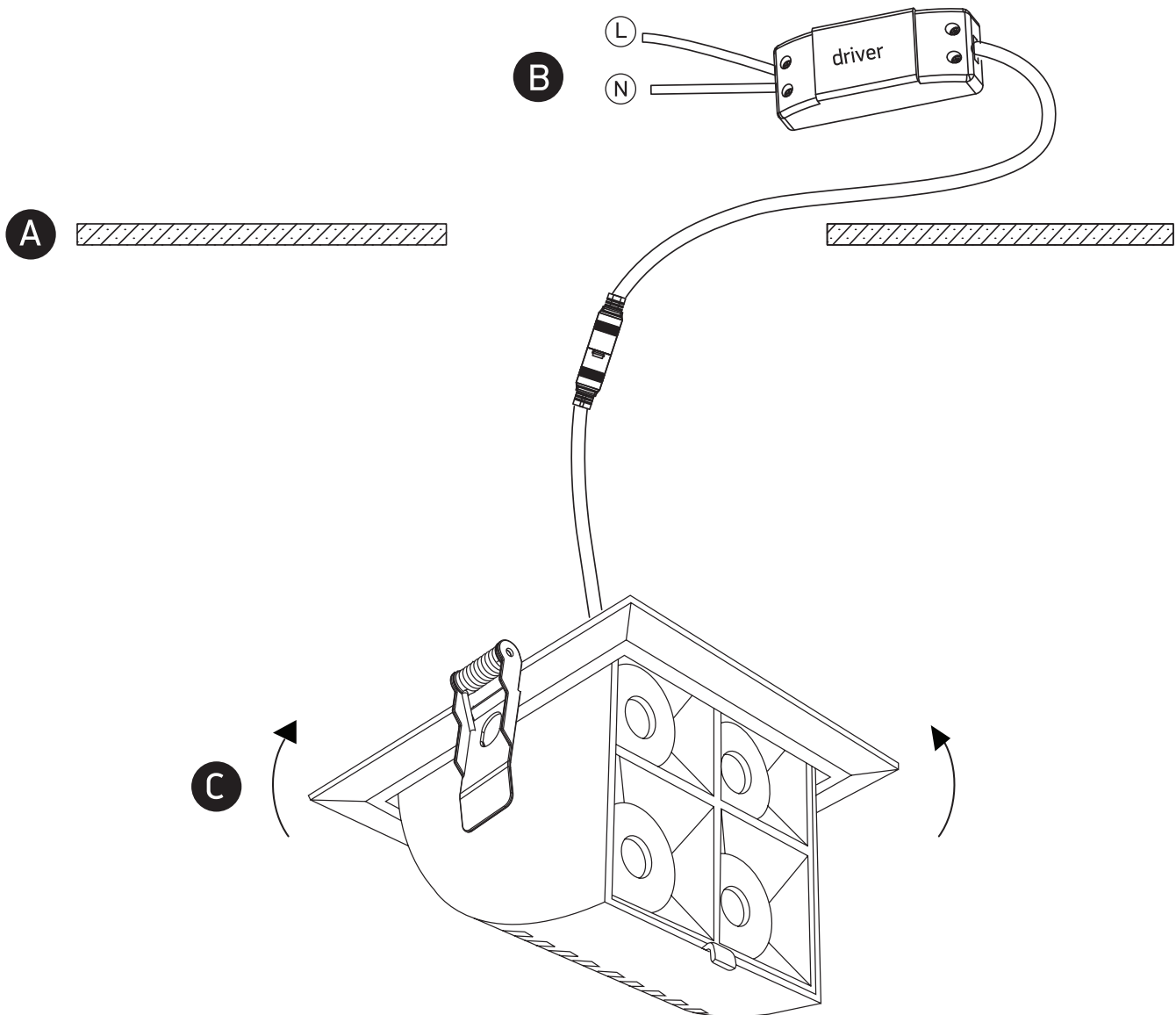
90
CRI



230V | COB LED | 16W | IP20 | Die cast | Adjustable
Complete with 400mA driver.



one
LIGHT



Warnings:

1. Make sure that the product is installed properly before connecting to electricity.
2. Do not cover the fitting.
3. Maintenance and installation should only be carried out by a professional electrician.