

# INSTALLATION MANUAL

62116FA

ecolight



80  
CRI



235x235mm



17mm

one  
LIGHT

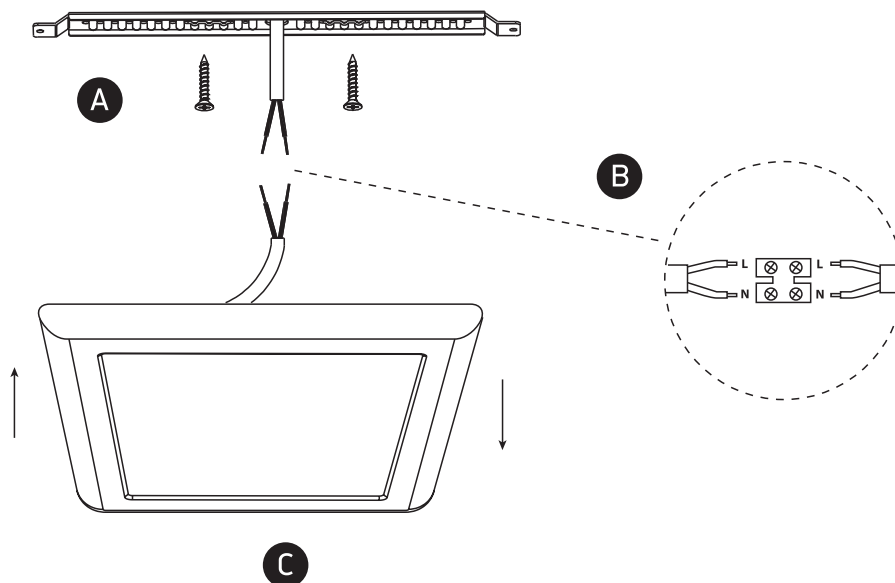
100-240V | SMD 2835 | 16W | IP20 | Plastic

Complete with 230mA driver.

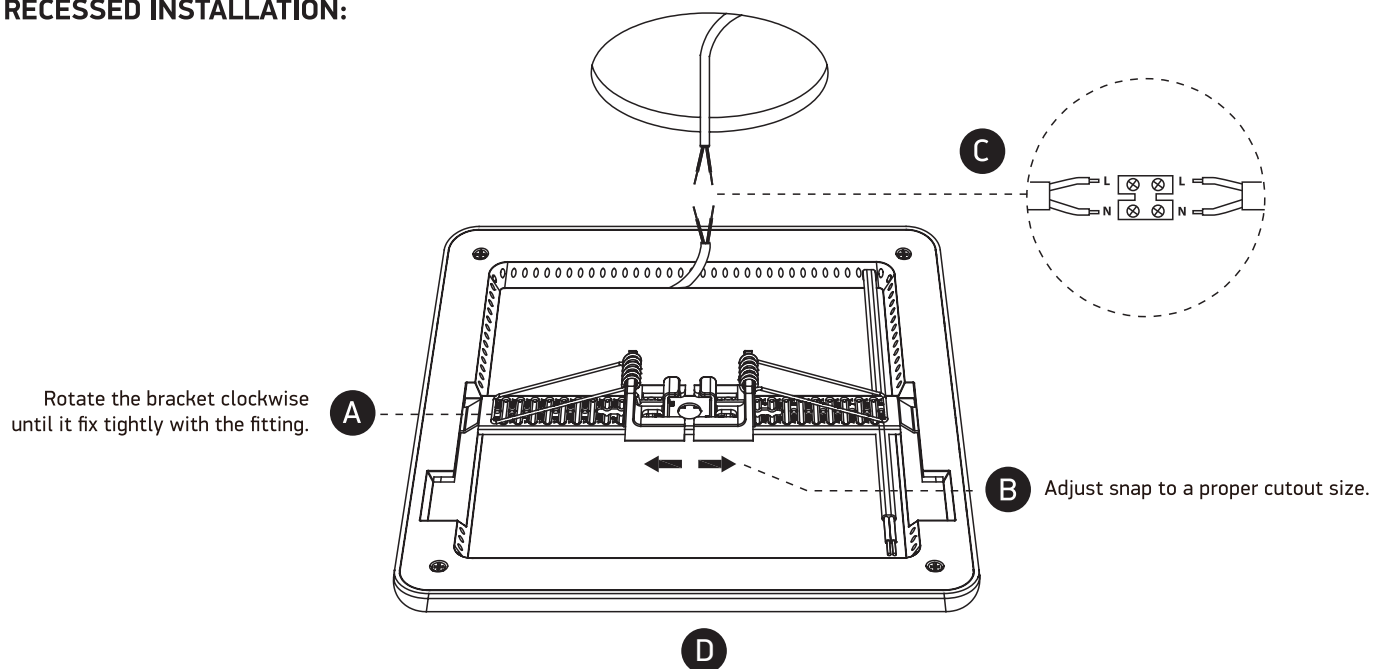
70-190mm

50mm

## SURFACE INSTALLATION:



## RECESSED INSTALLATION:



Rotate the bracket clockwise until it fix tightly with the fitting.

Adjust snap to a proper cutout size.

## Warnings:

1. Make sure that the product is installed properly before connecting to electricity.
2. Do not cover the fitting.
3. Maintenance and installation should only be carried out by a professional electrician.