

INSTALLATION MANUAL

62140RE

ecolight



80
CRI

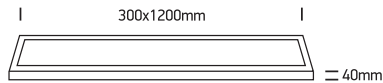
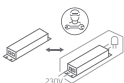
CE

RoHS
COMPLIANT



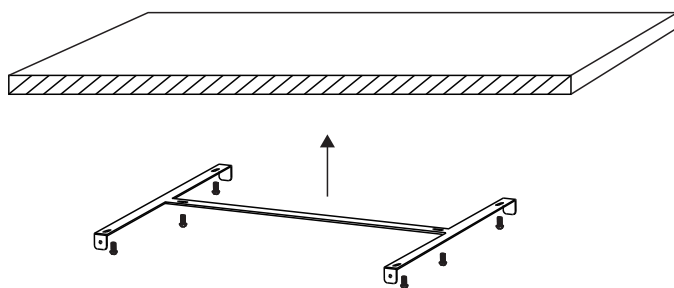
100%
DIMMABLE

230V | SMD 2835 | 40W | IP40 | Aluminium
Complete with 1000mA driver.



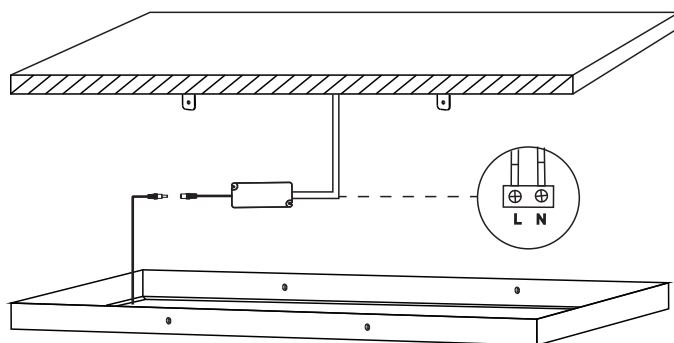
one
LIGHT

A



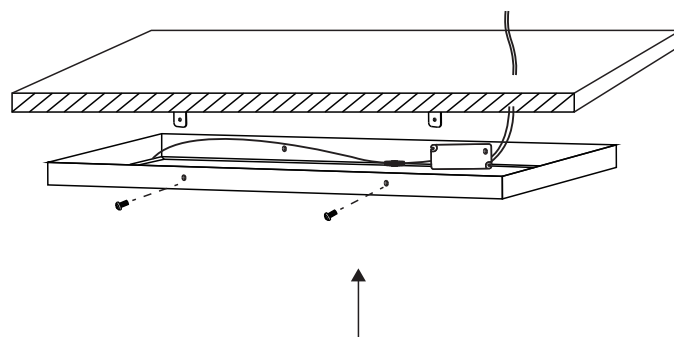
Fix bracket on ceiling.

B



Connect the driver to the power cable.

C



Place the frame on bracket and use screws to fix.

Warnings:

1. Make sure that the product is installed properly before connecting to electricity.
2. Do not cover the fitting.
3. Maintenance and installation should only be carried out by a professional electrician.