

INSTALLATION MANUAL

62144N

LED
BUILT IN



CE EAC UK

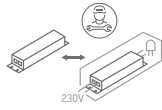
RoHS
COMPLIANT



NOT
DIMMABLE

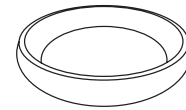
230V | SMD 2835 | 50W | IP20 | Aluminium

Complete with 1200mA driver.



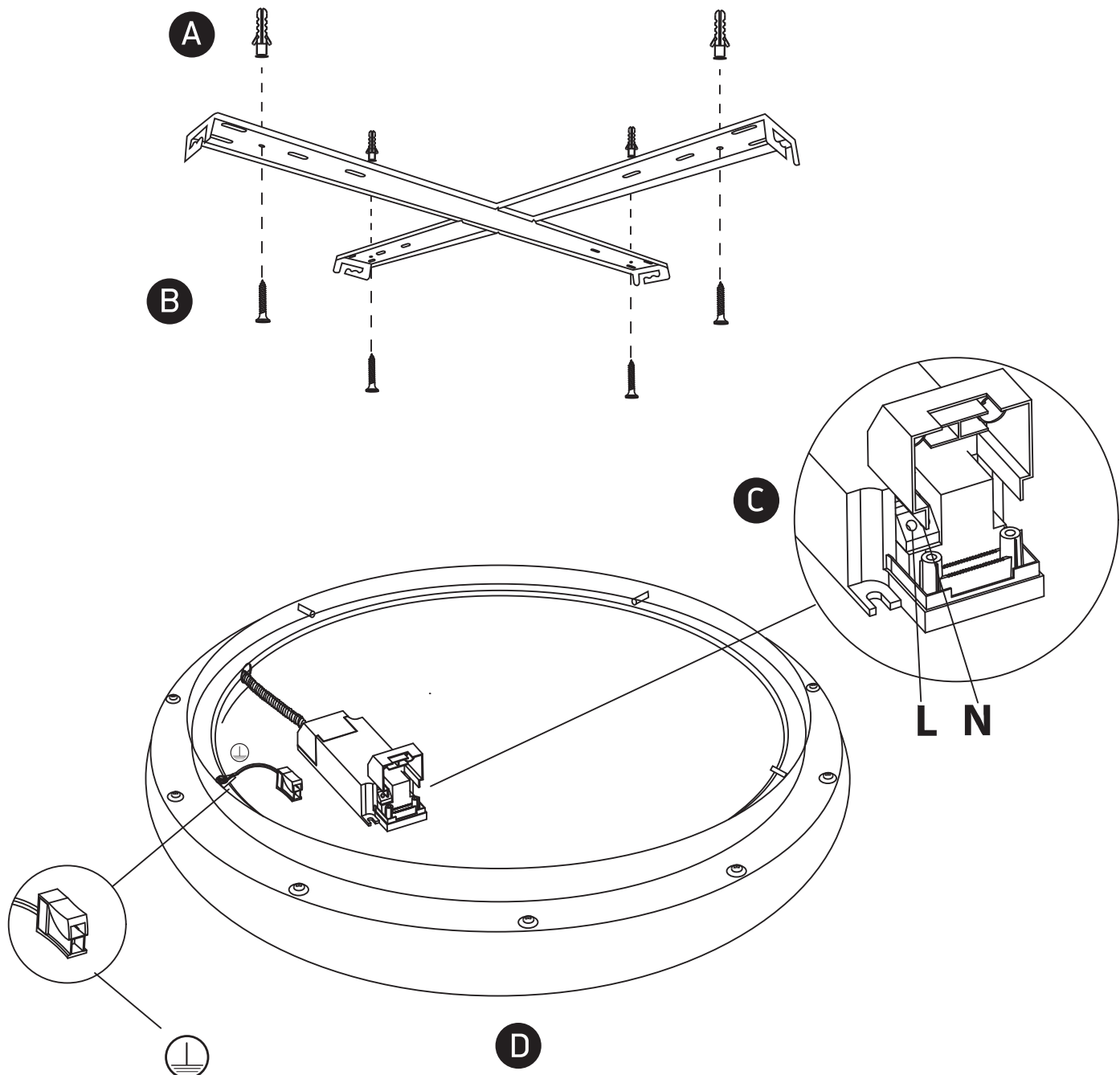
80
CRI

610mm



85mm

one
LIGHT



Warnings:

1. Fix the base on the ceiling.
2. Make sure that the product is installed properly before connecting to electricity.
3. Connect the AC power cable to the driver's cable as shown in the above diagram.
4. Do not cover the fitting.
5. Maintenance and installation should only be carried out by a professional electrician.