

# INSTALLATION MANUAL

62184A

LED  
BUILT IN



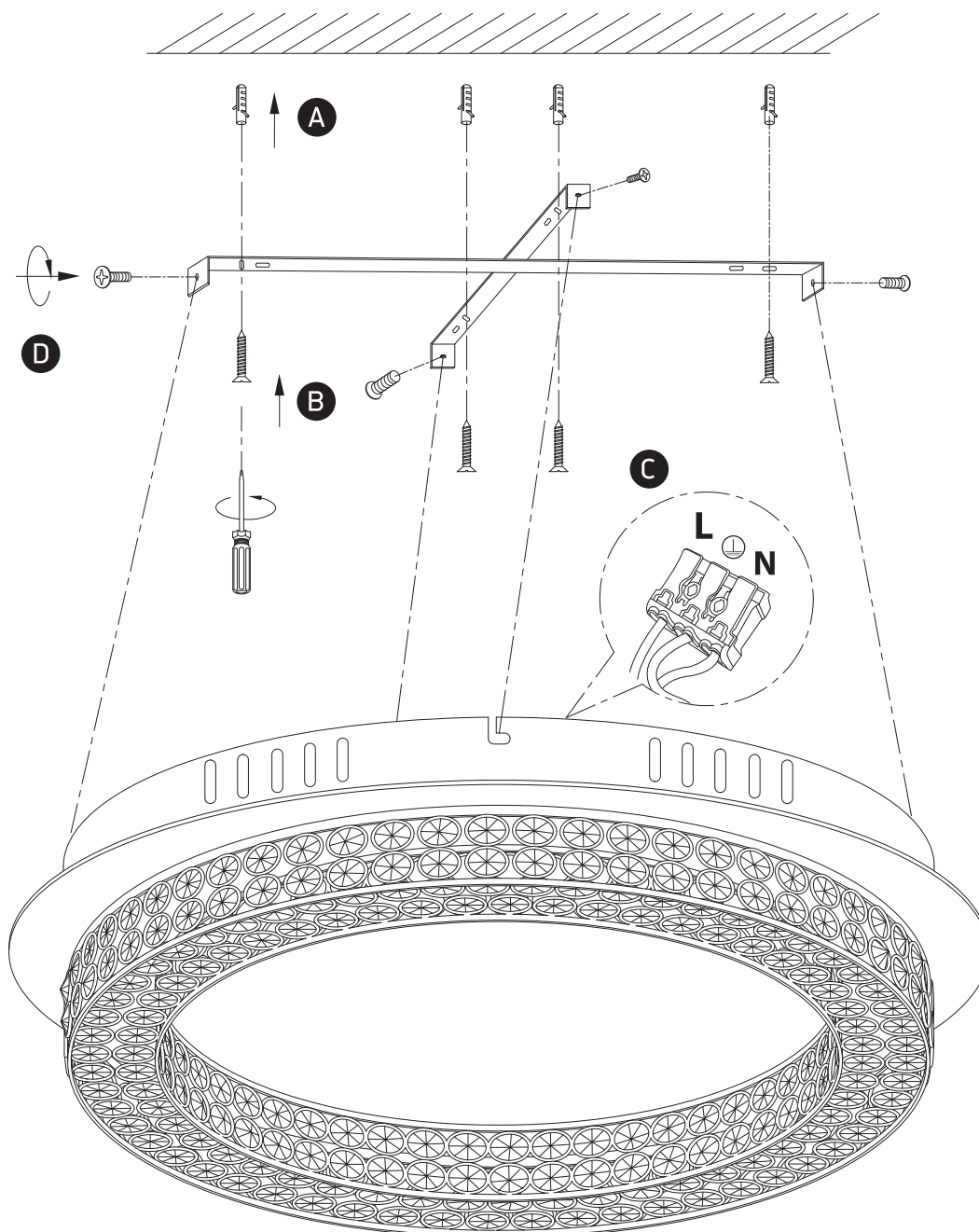
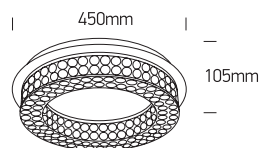
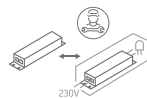
CE EAC UK CA

RoHS  
COMPLIANT



230V | SMD 2835 | 24W | IP20 | Metal + glass  
Complete with 300mA driver.

80  
CRI



## Warnings:

1. Make sure that the product is installed properly before connecting to electricity.
2. Do not cover the fitting.
3. Maintenance and installation should only be carried out by a professional electrician.