

# INSTALLATION MANUAL

6300A/./V

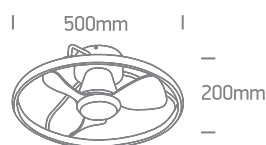


**DC MOTOR**   **20W MOTOR**   **6 SPEED**   **WINTER REVERSE MOTOR**   **REMOTE CONTROL**   **LIGHT ON/OFF SWITCH**   **28W LED**   **2000 LUMEN**

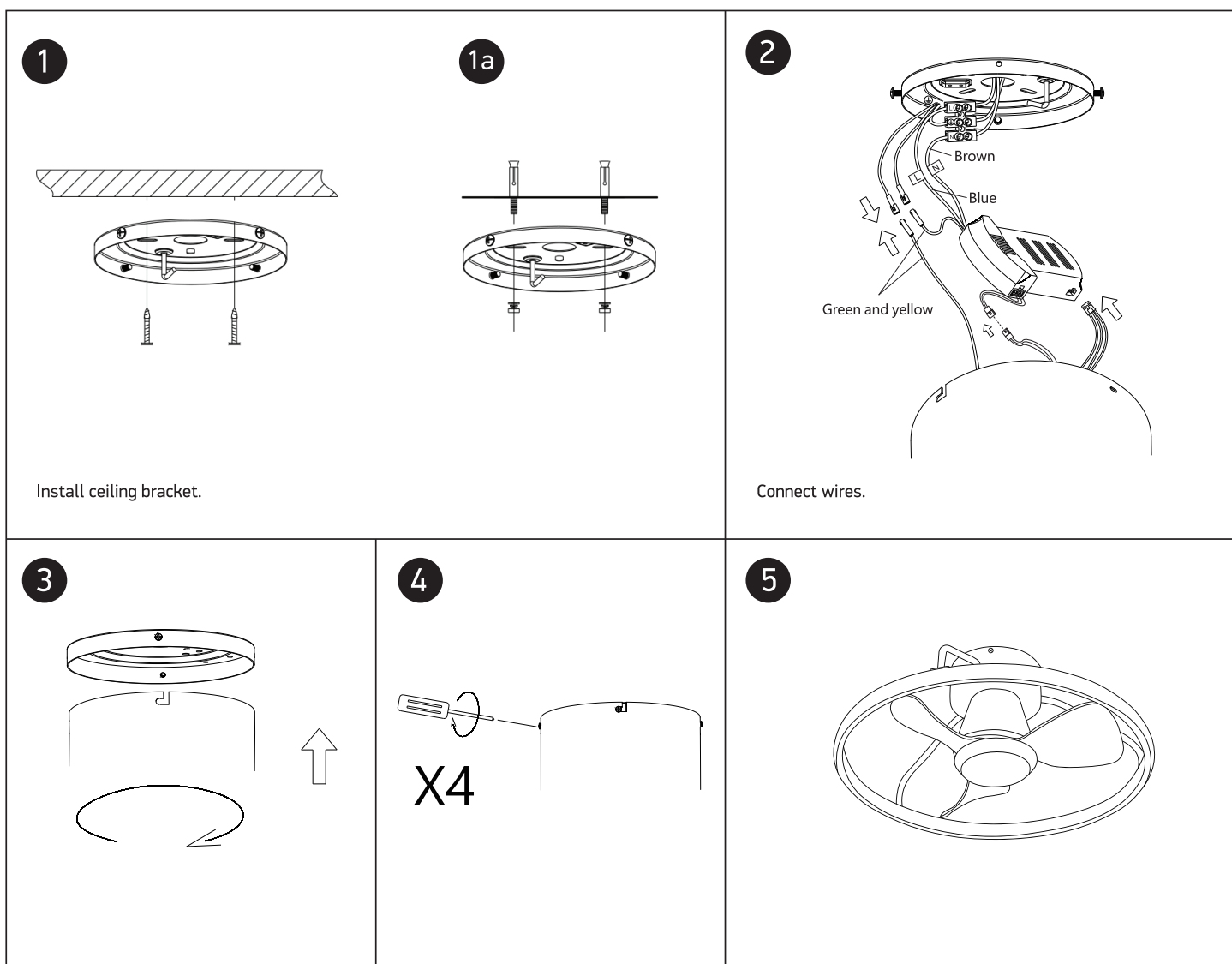
230V | LED 28W | DC Motor 20W | IP20 | Metal body | ABS blades | Ceiling mounted

· Maximum air flow rate 185m<sup>3</sup>/min  
· Service value 9,25/W  
· Standby power consumption 0,5W

· Fan sound power level 45dB(A)  
· Maximum air velocity 1,2 m/sec.  
· Max RPM 565



**one**  
LIGHT



## Warnings:

1. Make sure that the product is installed properly before connecting to electricity.
2. Maintenance and installation should only be carried out by a professional electrician.

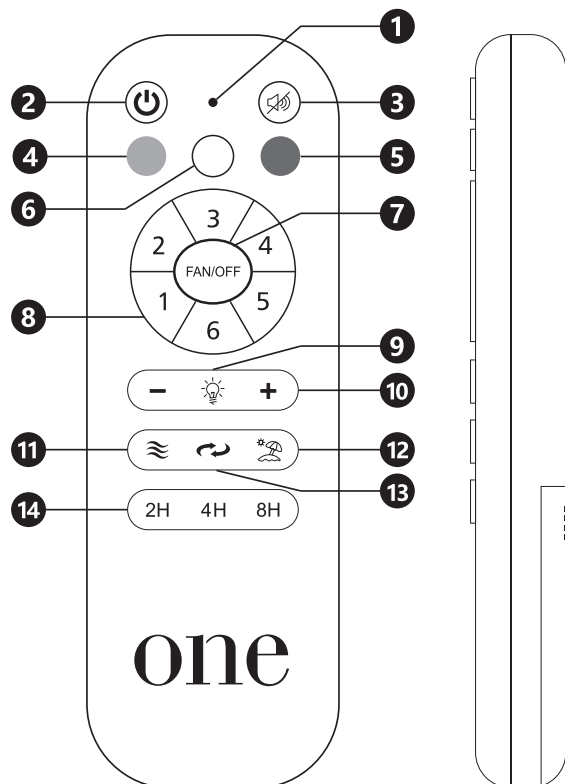
# INSTALLATION MANUAL

6300A/./V

## REMOTE CONTROL

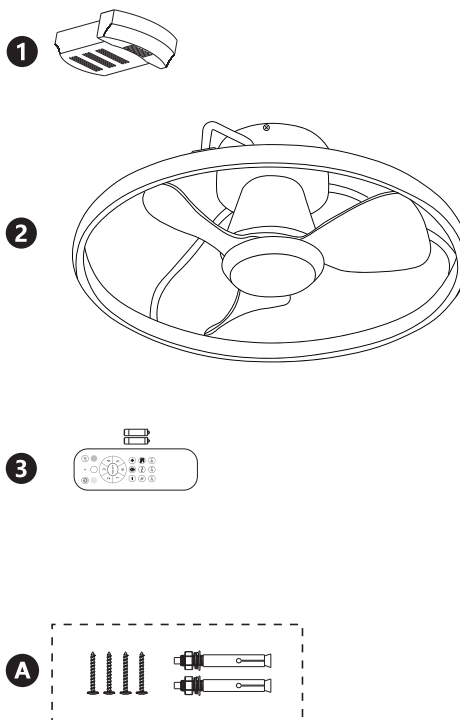
Requires 2xAAA batteries. Remove batteries if not used for long period of time.

- ① LED indicator
- ② ON/OFF
- ③ Mute sound
- ④ Warm white LED
- ⑤ Cool white LED
- ⑥ Daylight LED
- ⑦ Fan OFF
- ⑧ Fan speeds: To turn fan ON 1(lowest) to 6 (highest)
- ⑨ LED light ON / OFF
- ⑩ LED dimmer
- ⑪ Breeze: Fan speeds automatic cycle between 1 to 6
- ⑫ Vacation mode: Switch on the light kit  
5 minutes each 2 hours
- ⑬ Reverse function for winter and summer
- ⑭ Timer: Fan stops after 2h/4h/8h



**NOTE:** To pair a remote to a receiver turn ON the power supply to the fan and press the ON/OFF and MUTE keys on the remote for 3 to 5 seconds. You will hear a beep.

## PACKAGE CONTENTS



- ① Receiver
- ② Ceiling fan
- ③ Remote control + holder  
+2 mounting screws  
+1.5V (AAA)x2 batteries
- A Mounting hardware

**NOTE:** When switching mains ON, light automatically turns on.

### Warnings:

1. Make sure that the product is installed properly before connecting to electricity.
2. Maintenance and installation should only be carried out by a professional electrician.