

INSTALLATION MANUAL

6304

LED
BUILT IN



370mm
(with 150mm Rod)

DC 45W
MOTOR

6
SPEED



WINTER
REVERSE MOTOR



REMOTE
CONTROL

LIGHT
ON/OFF
SWITCH

22W
LED

2000
LUMEN

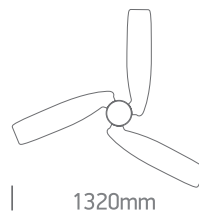
230V | LED 22W | DC MOTOR 45W | IP20 | Metal body | ABS blades | Rod mounted

· Maximum air flow rate 170m³/min
· Service value 3,7/W
· Standby power consumption 0,5W

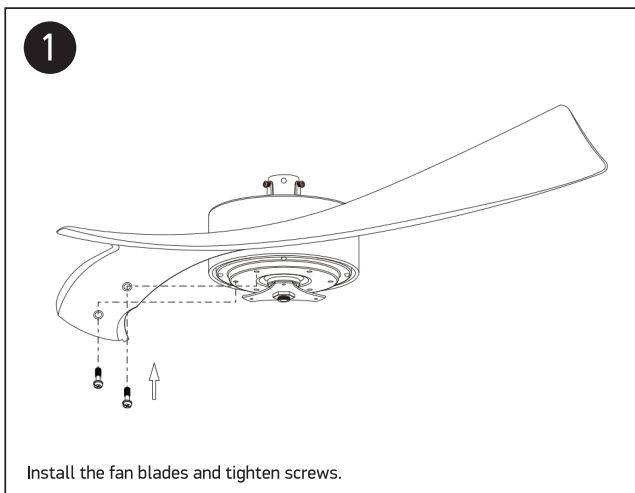
· Fan sound power level 50dB(A)
· Maximum air velocity 4,0 m/sec.
· Max RPM 165



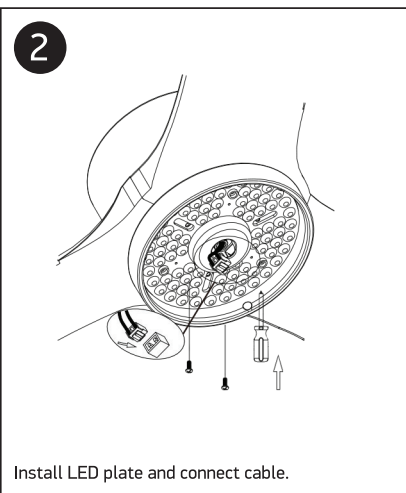
85
CRI



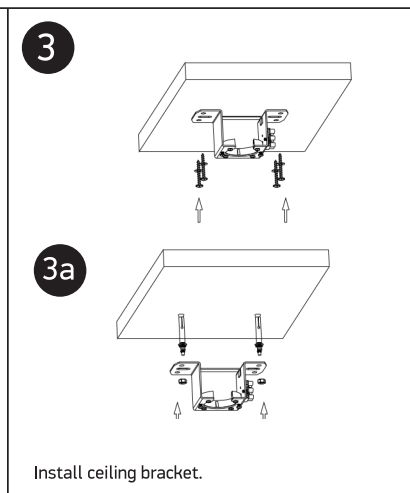
one
LIGHT



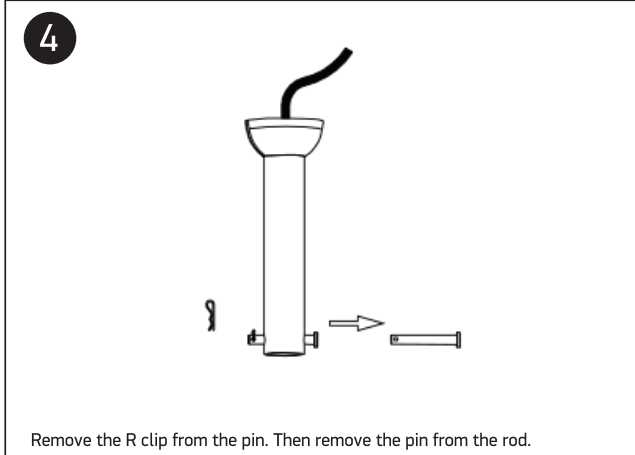
1 Install the fan blades and tighten screws.



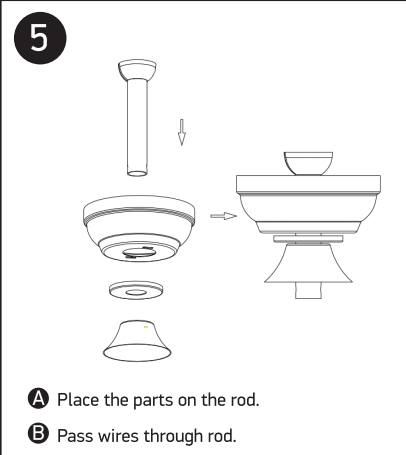
2 Install LED plate and connect cable.



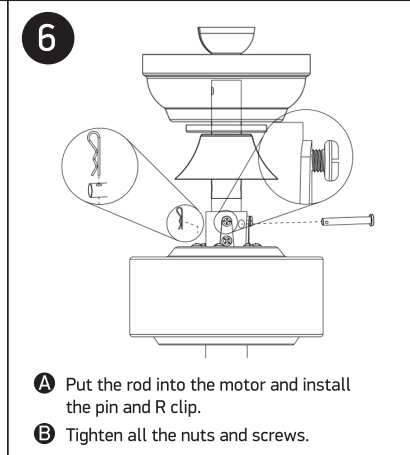
3 Install ceiling bracket.



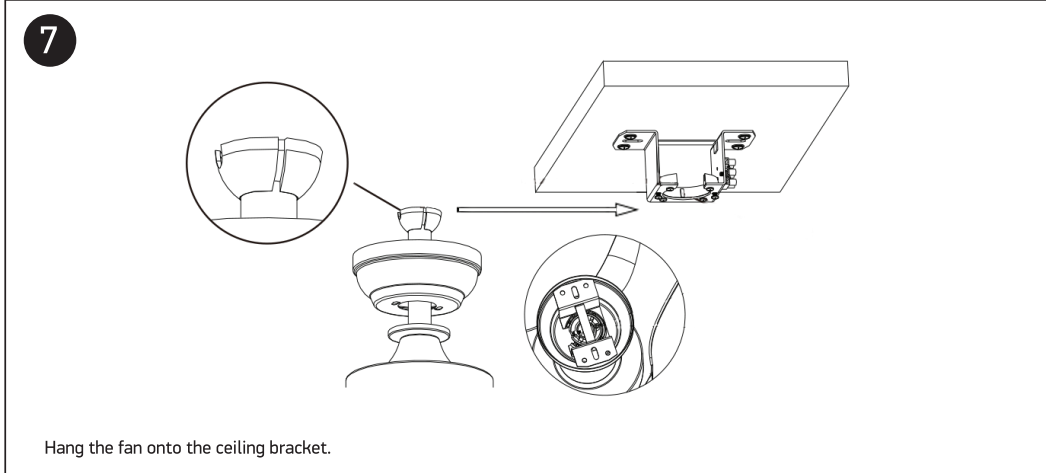
4 Remove the R clip from the pin. Then remove the pin from the rod.



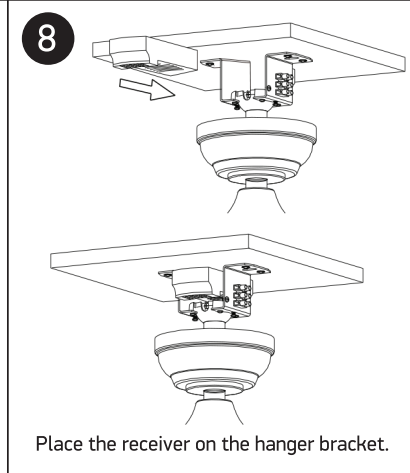
- A Place the parts on the rod.
- B Pass wires through rod.



- A Put the rod into the motor and install the pin and R clip.
- B Tighten all the nuts and screws.



7 Hang the fan onto the ceiling bracket.



8 Place the receiver on the hanger bracket.

Warnings:

1. Make sure that the product is installed properly before connecting to electricity.
2. Maintenance and installation should only be carried out by a professional electrician.

INSTALLATION MANUAL

6304

9

Blue
Brown
Green and yellow

Connect wires.

10

1
2
3

11

Install the diffuser onto the LED plate.

PACKAGE CONTENTS

REMOTE CONTROL

Requires 2xAAA batteries. Remove batteries if not used for long period of time.

1 LED indicator	8 Fan speeds: To turn fan ON 1 (lowest) to 6 (highest)
2 ON/OFF	9 LED light ON / OFF
3 Mute sound	10 LED dimmer
4 Warm white LED	11 Breeze: Fan speeds automatic cycle between 1 to 6
5 Cool white LED	12 Vacation mode: Switch on the light kit 5 minutes each 2 hours
6 Daylight LED	13 Reverse function for winter and summer
7 Fan OFF	14 Timer: Fan stops after 2h/4h/8h

NOTE: When switching mains ON, light automatically turns on.

Warnings:

1. Make sure that the product is installed properly before connecting to electricity.
2. Maintenance and installation should only be carried out by a professional electrician.