

INSTALLATION MANUAL

65146/65146A

LED
BUILT IN



ADJUSTABLE

CE EAC UK CA

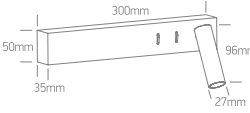
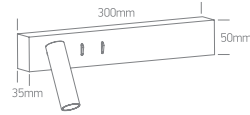
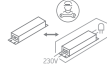
RoHS
COMPLIANT



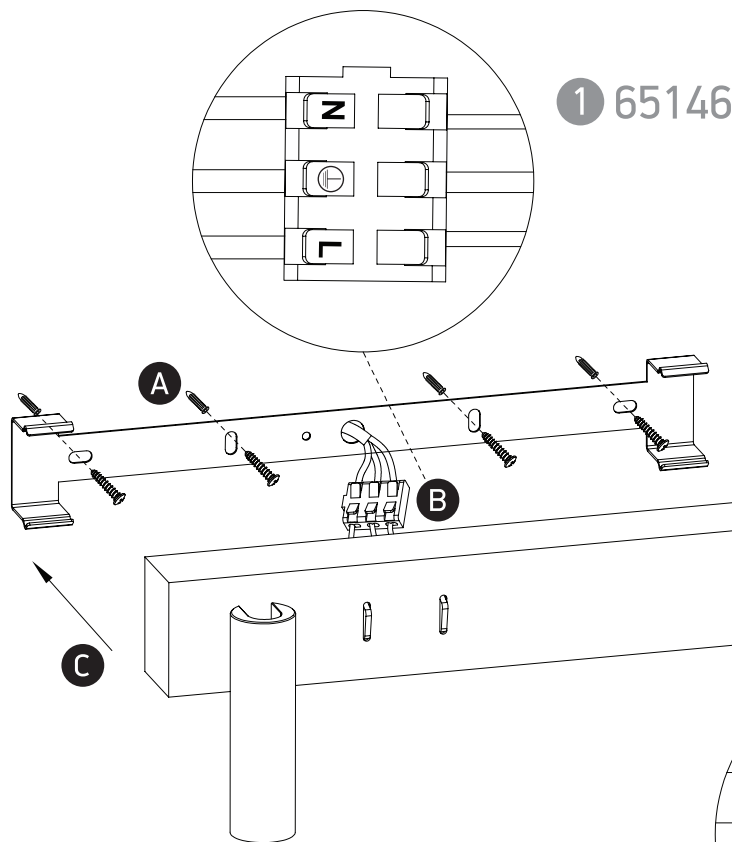
NOT
DIMMABLE

230V | SMD LED | 3W + 6W Sidelight | IP20 | Metal + aluminium
Complete with 700mA + 150mA drivers. With 2 x ON/OFF Switches.
Complete with black, brass and white reflectors.

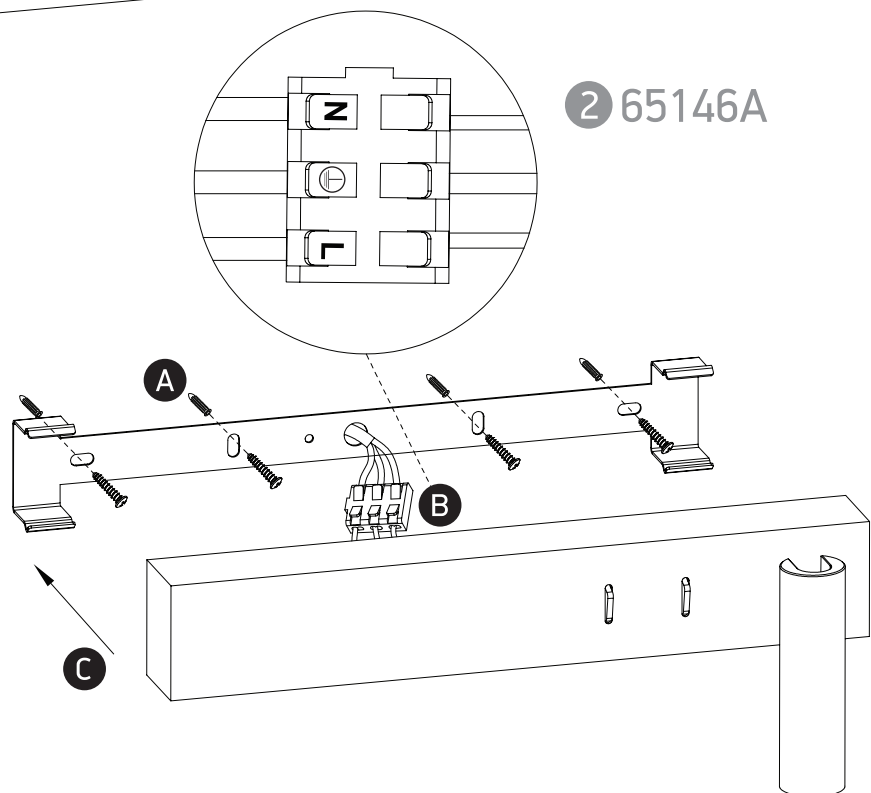
90
CRI



one
LIGHT



1 65146



2 65146A

Warnings:

1. Make sure that the product is installed properly before connecting to electricity.
2. Do not cover the fitting.
3. Maintenance and installation should only be carried out by a professional electrician.