

INSTALLATION MANUAL

65168T

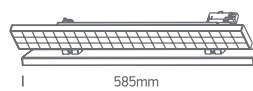
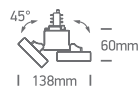
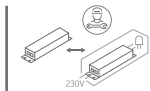
ecotracklight

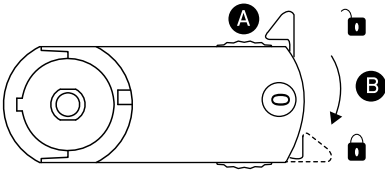
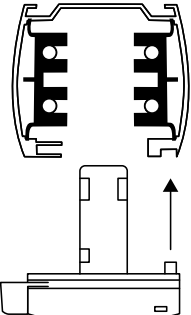
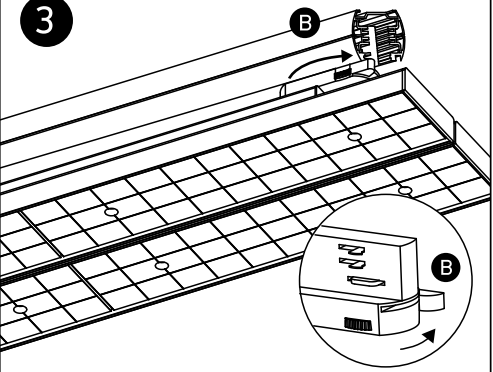
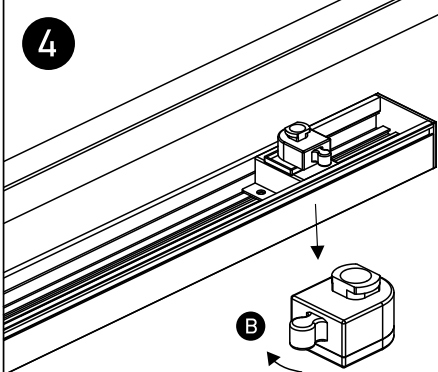
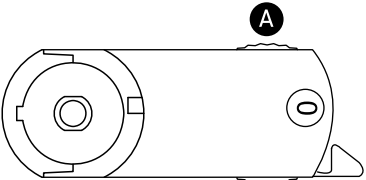
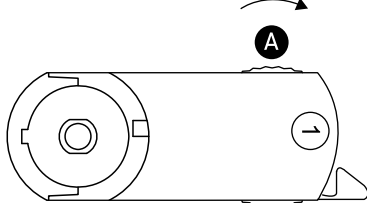
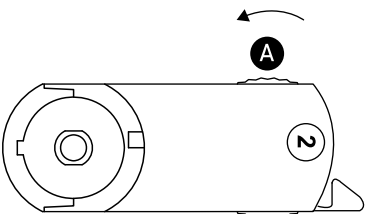
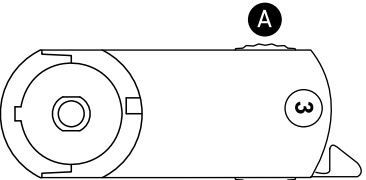
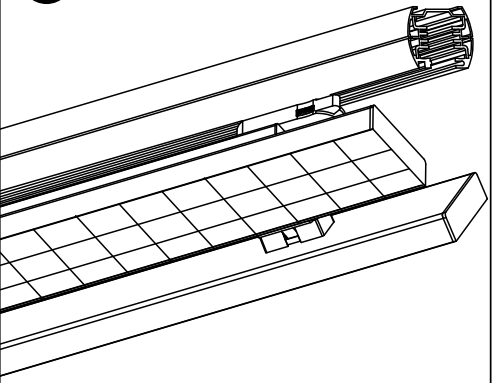


80 CRI



50W | SMD 2835 | 230V | 50/60Hz | IP20 | Aluminium
Complete with 1400mA driver.



<p>1</p>  <p>To mount the track adaptor into the track system, first check that the selector knob A is at 0 position and the adaptor lock B is disengaged.</p>	<p>2</p>  <p>When installing the adaptor into the track, ensure that it is orientated correctly.</p>	<p>3</p>  <p>Rotate adaptor lock B clockwise 90° to connect the adaptor to the neutral circuit.</p>
<p>4</p>  <p>Rotate security button B anticlockwise 90° to secure track light to the track.</p>	<p>5</p>  <p>Rotate selector knob A to the position of desired circuit.</p>	<p>5a</p>  <p>Circuit 1: To connect on circuit 1, from 0 position, rotate the knob A fully clockwise to position 1.</p>
<p>5b</p>  <p>Circuit 2: To connect on circuit 2, from 0 position, rotate the knob A fully anti-clockwise to position 2.</p>	<p>5c</p>  <p>Circuit 3: To connect on circuit 3, from 0 position, rotate the knob A to position 3.</p>	<p>6</p> 

Warnings:

1. Make sure that the product is installed properly before connecting to electricity.
2. Do not cover the fitting.
3. Maintenance and installation should only be carried out by a professional electrician.