

# INSTALLATION MANUAL

65656AT

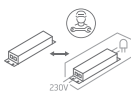
ecotrackspot



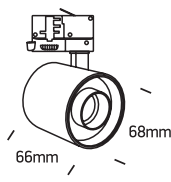
DARK LIGHT



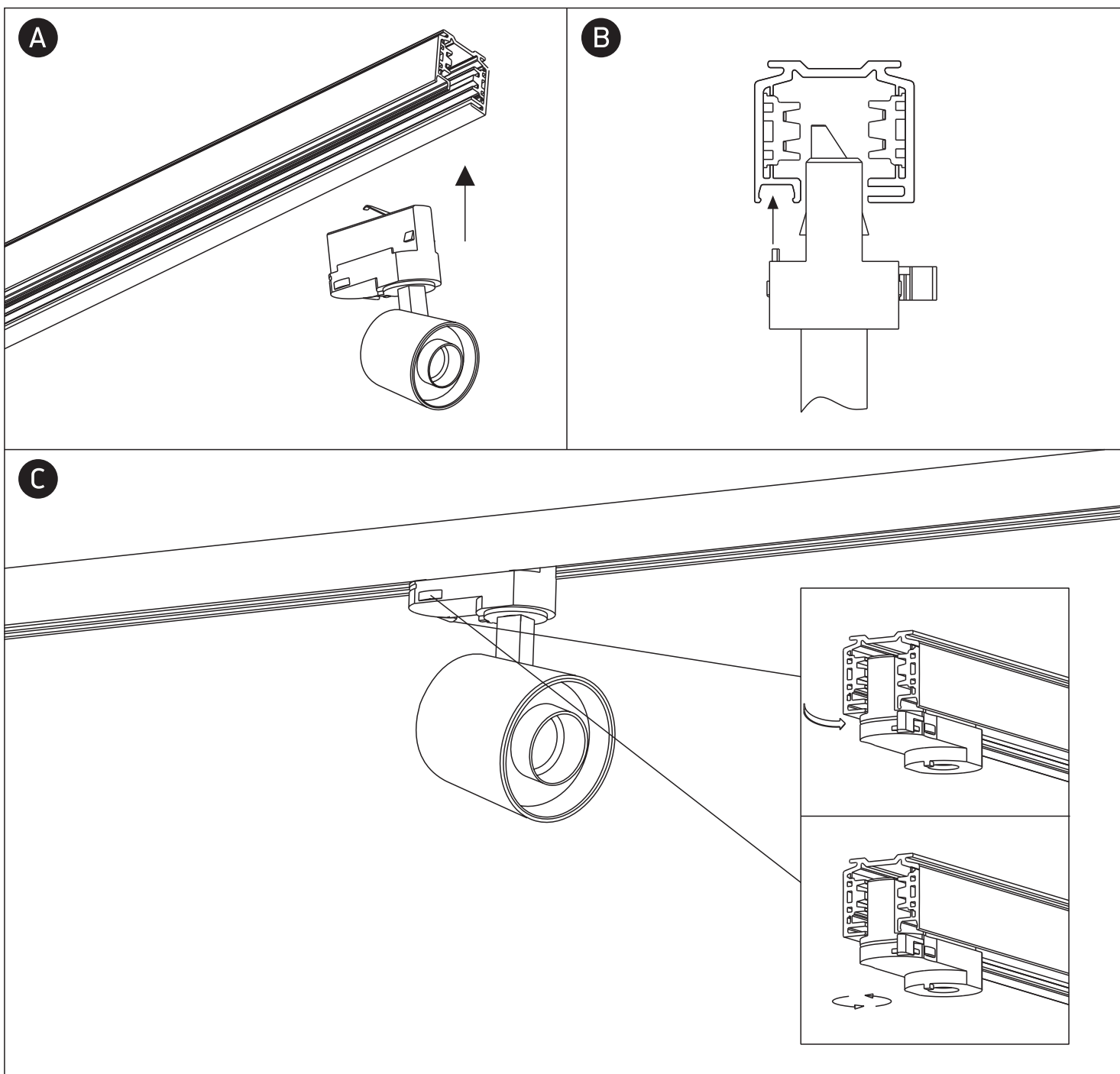
230V | SMD 5050 | 6W | IP20 | Aluminium | Adjustable  
Complete with 150mA driver.



90 CRI



one  
LIGHT



## Warnings:

1. Make sure that the product is installed properly before connecting to electricity.
2. Do not cover the fitting.
3. Maintenance and installation should only be carried out by a professional electrician.