

INSTALLATION MANUAL

65656BT

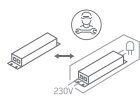
ecotrackspot



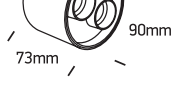
DARK LIGHT



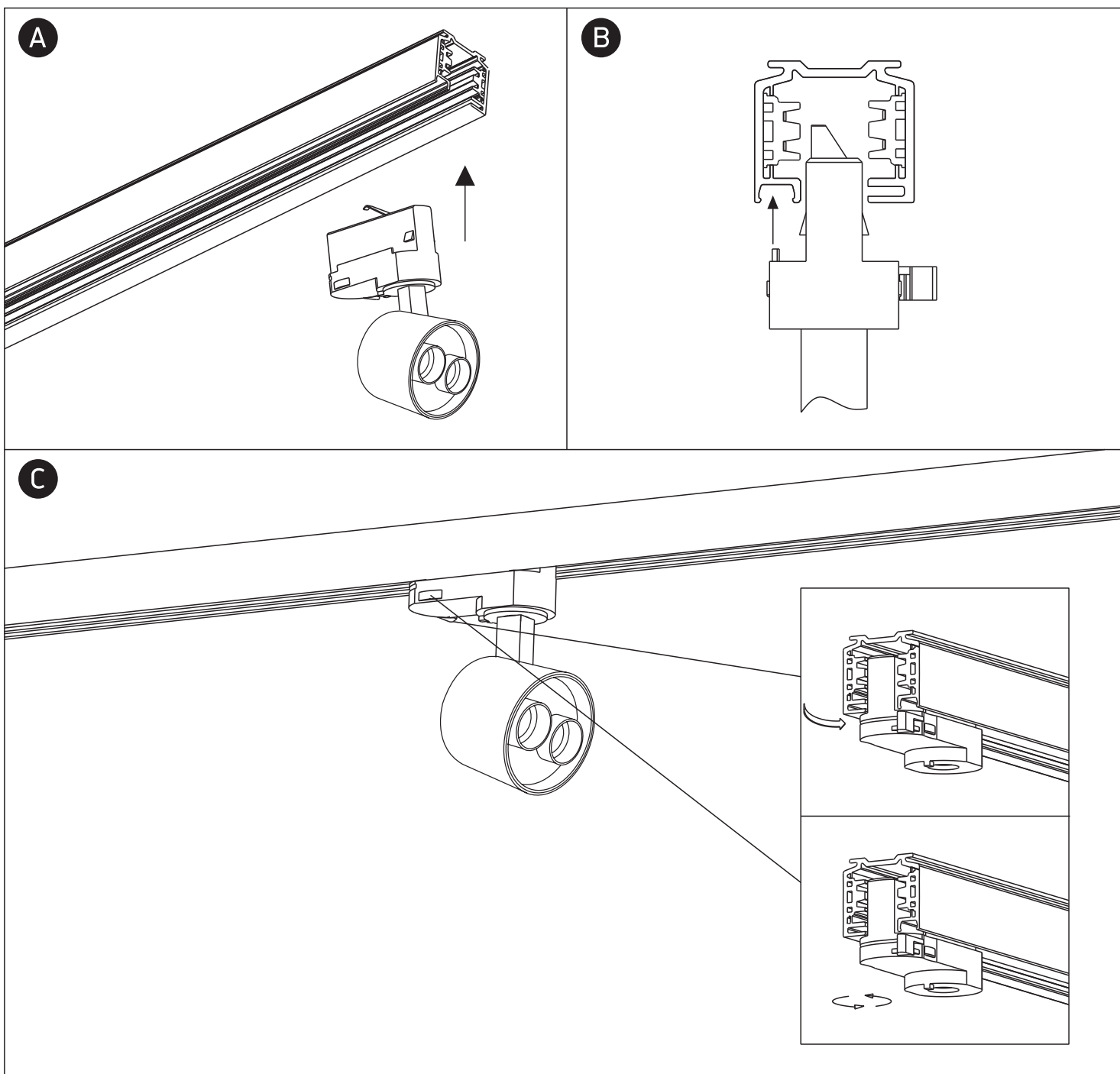
230V | SMD 5050 | 12W | IP20 | Aluminium | Adjustable
Complete with 300mA driver.



90 CRI



one
LIGHT



Warnings:

1. Make sure that the product is installed properly before connecting to electricity.
2. Do not cover the fitting.
3. Maintenance and installation should only be carried out by a professional electrician.