

INSTALLATION MANUAL

67340A

LED
BUILT IN



CE

EAC

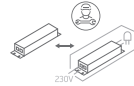
UK
CA

RoHS
COMPLIANT

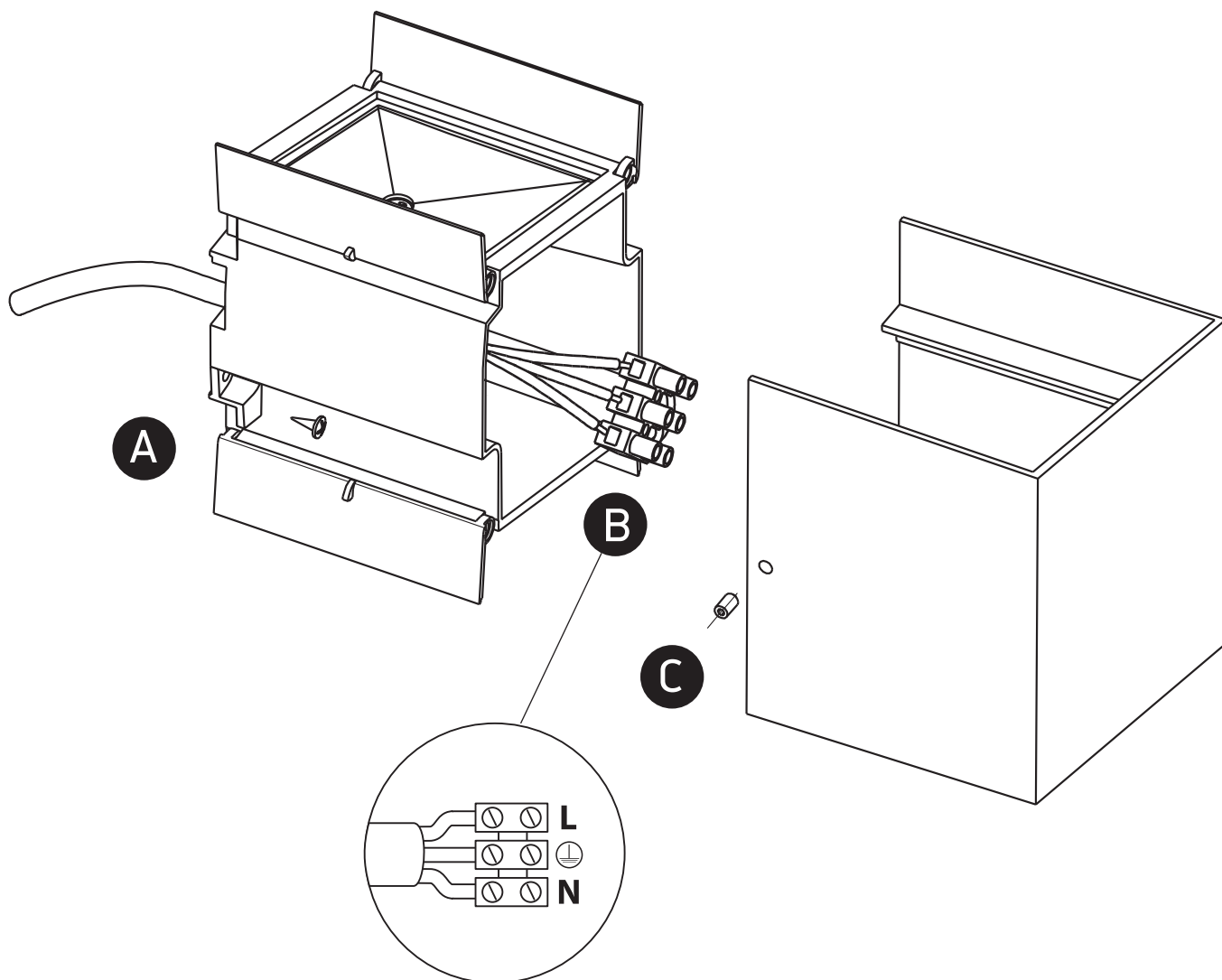
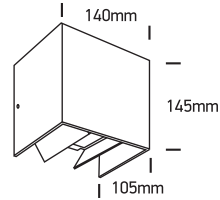


NOT
DIMMABLE

230V | 2x3W | IP54 | Die cast | Adjustable beam
Complete with 700mA driver.



80
CRI



Warnings:

1. Make sure that the product is installed properly before connecting to electricity.
2. Do not cover the fitting.
3. Maintenance and installation should only be carried out by a professional electrician.