

INSTALLATION MANUAL

67359

LED
BUILT IN



DARK
LIGHT

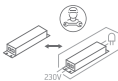
CE EAC UK
CA

RoHS
COMPLIANT

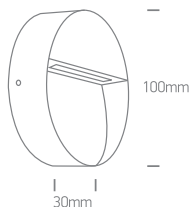


NOT
DAMMABLE

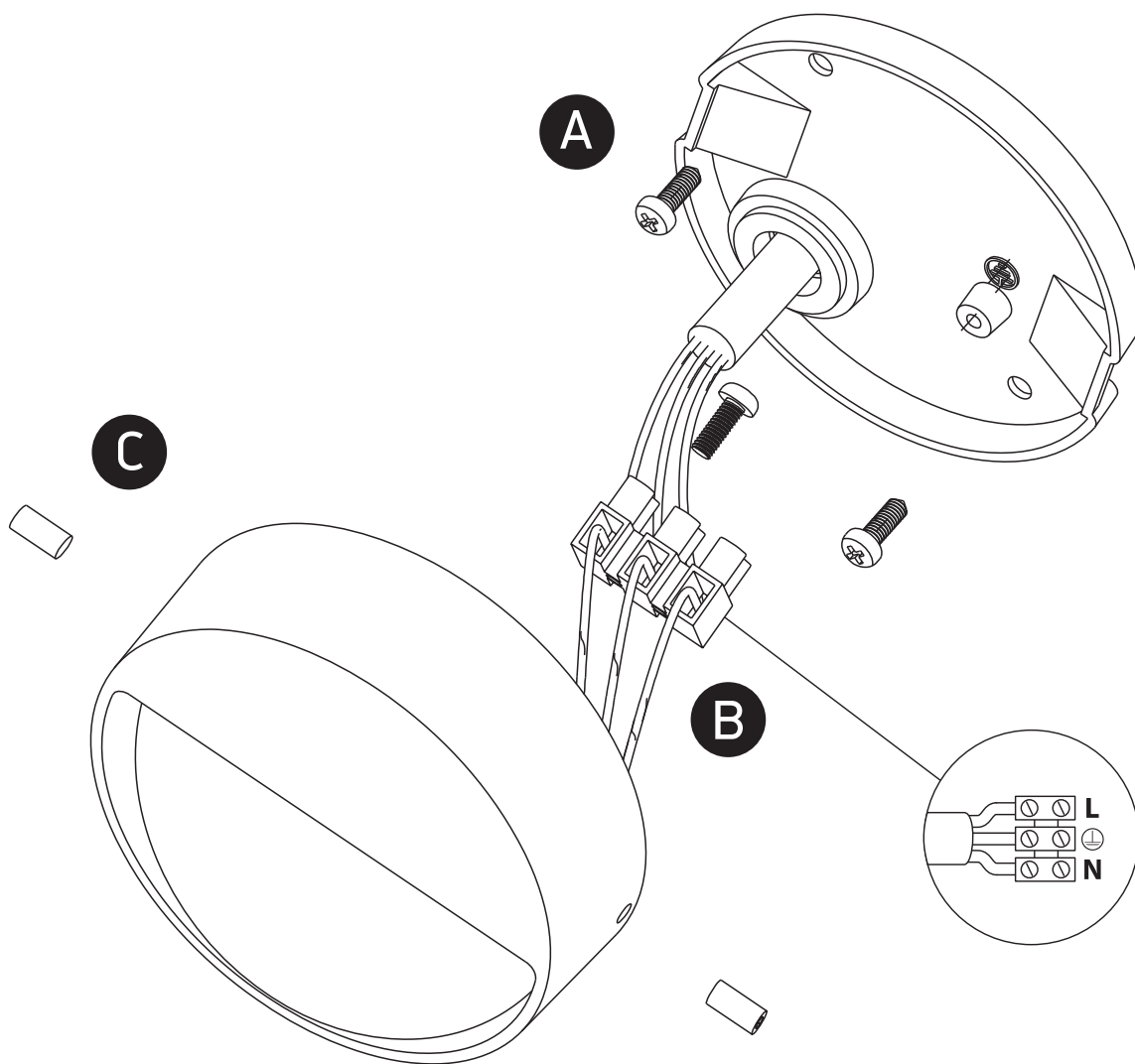
100-240V | SMD LED | 3W | IP54 | Die cast
Complete with 350mA driver.



80
CRI



one
LIGHT



Warnings:

1. Make sure that the product is installed properly before connecting to electricity.
2. Do not cover the fitting.
3. Maintenance and installation should only be carried out by a professional electrician.